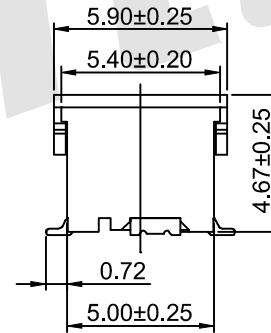
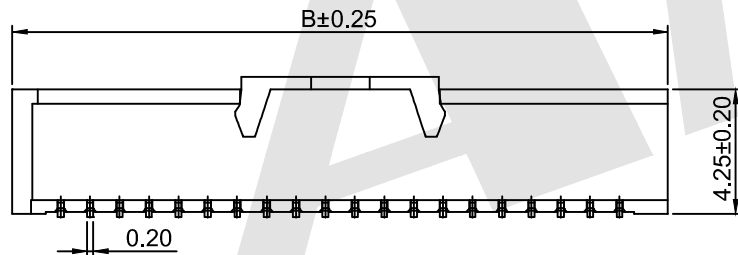
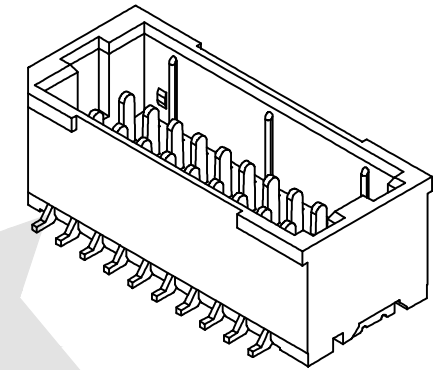
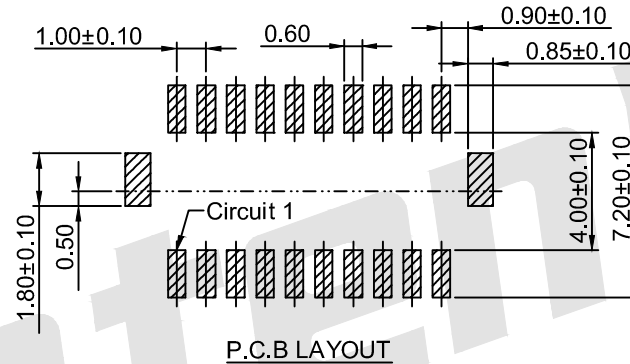
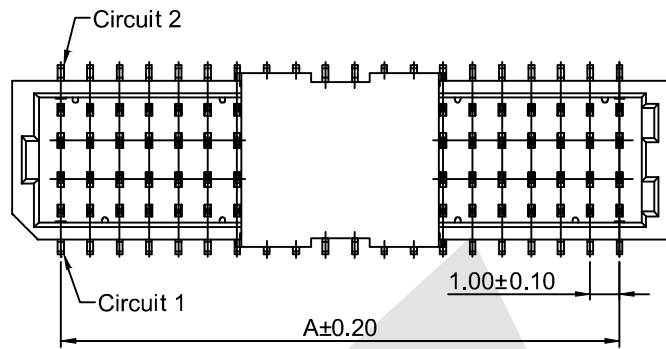


HSF



ROHS



SPECIFICATIONS

- Voltage rating: 50V AC,DC
- Current rating: 1A, AC, DC
- Withstanding Voltage: 500V AC/minute
- Insulation resistance: 100MΩ min
- Temperature range: -40°C~+105°C

WAFER

- Part NO: AW1002V-S-2xNP
- Material: Pin: Phosphor Bronze/Tin over Nickel  
Solder Tabs: Phosphor Bronze/Tin over Nickel  
Insulator: Nylon 6T, UL94V-0
- Mates with: AH1002-2xNP series Dual Row Housing
- Color: Ivory

Ordering Information & Dimensions:

Part No.	Dimensions (mm)	
	A	B
AW1002V-S-2x06P	5.00	8.30
AW1002V-S-2x08P	7.00	10.30
AW1002V-S-2x10P	9.00	12.30
AW1002V-S-2x15P	14.00	17.30
AW1002V-S-2x20P	19.00	22.30
AW1002V-S-2x25P	24.00	27.30

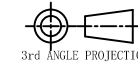
Unit: mm

Unless otherwise specified tolerance  
 X. ±0.35 X.XX: ±0.20  
 X.X: ±0.25 X.XXX: ±0.15

**Antenk**® ANTENK ELECTRONICS CO., LTD  
[Http://www.antenk.com](http://www.antenk.com)  
 E-mail: sales@antenk.com

SCALE: As Shown	UNIT: mm
DRAW Jack Bao	DATE 10/23/2017
CHECK Bob Yang	DATE 10/23/2017

TITLE: 1.00mm pitch 180° Dual Row Wafer-SMT Connector Series



DRAWING NO: AW1002V-S-2xNP

PRODUCT NO: AW1002V-S-2xNP

REV	DESCRIPTION	DATE