

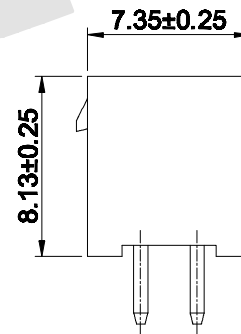
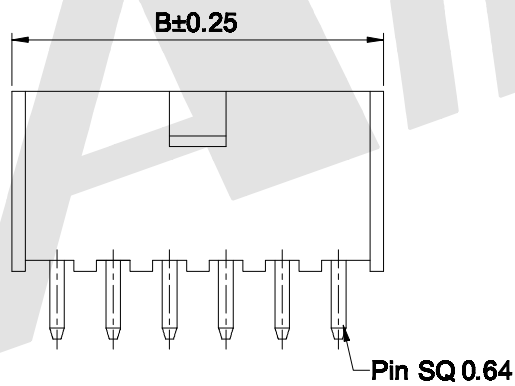
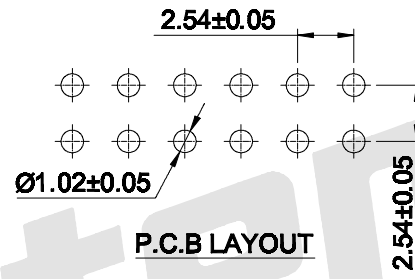
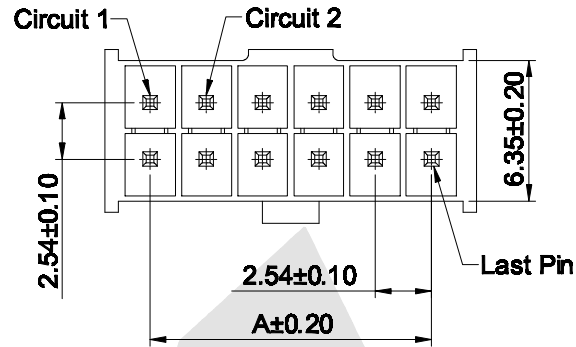


SPECIFICATIONS

- Voltage rating: 250V AC,DC
- Current rating: 3A AC,DC
- Withstanding Voltage: 1000V AC/minute
- Insulation resistance: 1000MΩ min
- Temperature range: -40°C~+105°C

WAFER

- Part NO: AW2549VI-2xNP
- Material: Pin: Brass/Tin over Nickel
Insulator: LCP, UL94V-0
- Mates with: AH2549I-2xNP series Housing
- Color: Ivory



Ordering Information & Dimensions:

Poles	Part No.	Dimensions (mm)	
		A	B
04	AW2549VI-2x02P	2.54	6.60
06	AW2549VI-2x03P	5.08	9.14
08	AW2549VI-2x04P	7.62	11.68
10	AW2549VI-2x05P	10.16	14.22
12	AW2549VI-2x06P	12.70	16.76
14	AW2549VI-2x07P	15.24	19.30
16	AW2549VI-2x08P	17.78	21.84
18	AW2549VI-2x09P	20.32	24.38
20	AW2549VI-2x10P	22.86	26.92
22	AW2549VI-2x11P	25.40	29.46
24	AW2549VI-2x12P	27.94	32.00
26	AW2549VI-2x13P	30.48	34.54
28	AW2549VI-2x14P	33.02	37.08
30	AW2549VI-2x15P	35.56	39.62

Unit:mm

Unless Otherwise specified tolerance
 I ±0.35 I, XX: ±0.20
 I, X: ±0.25 I, XXX: ±0.15

SCALE: As Shown UNIT: mm
 DRAW Jack Bao DATE 07/18/2018
 CHECK Bob Yang DATE 07/18/2018



Antenk ANTENK ELECTRONICS CO.,LTD
[Http://www.antenk.com](http://www.antenk.com)
 E-mail:sales@antenk.com

TITLE: 2.54mm pitch Dual Row 180° Wafer Connector Series

DRAWING NO: AW2549VI-2xNP

PRODUCT NO: AW2549VI-2xNP

REV	DESCRIPTION	DATE
1		