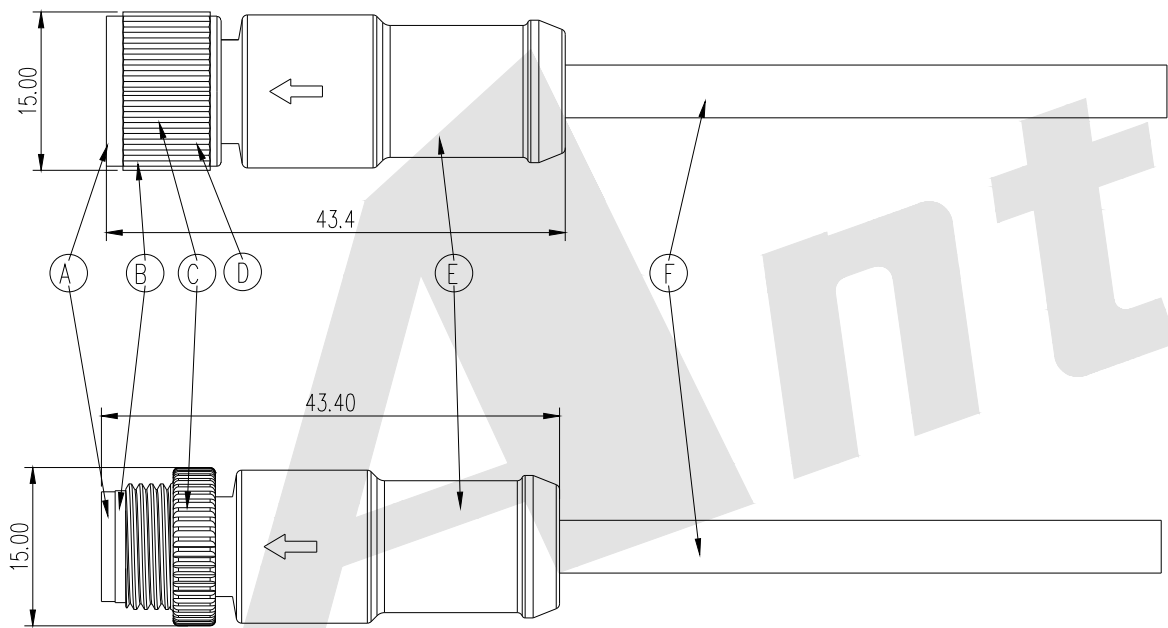


HSF



A-CODE	9 Pin	10 Pin	11 Pin	12 Pin	13 Pin	14 Pin	15 Pin	16 Pin	17 Pin



Order Code:

M12A - A - XP - X - 002  
 ① - ② - ③ - ④ - ⑤

- ① Type of M series : M12A
- ② Code Option: A
- ③ NO. of PINS: 9~17
- ④ Gender option: F:Female M:Male
- ⑤ Series number: 002

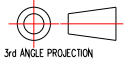
Engagement force	≤50N	Rated volage	30V DC
Isengagement force	≥5N	Rated current	1.5A
echanical lifespan	≥500	Insulation resistance	≥1000 MΩ
IP rating	IP67/IP68	Contace resistance	≤10mΩ
Flammability	UL94 v-0	Operation Temperature	-40 T0+105℃

F	Cable	1	DEMAND
E	Over Mold	1	PVC(UV) BLACK
D	O RING	1	SILIGONE RED
C	NUT	1	NICKL PLATED BRASS
B	male PIN	/	GOLD PLATED BRASS
	Female PIN	/	PHOSPHOR BRONZE GOLD PLATING OVER NICKEL PLATING
A	BODY	1	PA66+GF BLACK
Item	PART NAME	QTY	MATERIAL /FINISH

Unless Otherwise specified tolerance	
x.±0.35	x.xx:±0.20
x.x:±0.25	x.xxx:±0.15
SCALE: As Shown	UNIT: mm
DRAW ZLA	DATE 24/05/2022
CHECK BobYang	DATE 24/05/2022

**Antenk** ANTENK ELECTRONICS CO.,LTD  
 Http://www.antenk.com  
 E-mail:sales@antenk.com

TITLE:  
 M12A 9~17P Vertical Metal nuts Waterproof Connector  
 DRAWING NO: M12A-A-XP-X-002  
 PRODUCT NO: M12A-A-XP-X-002



REV	DESCRIPTION	DATE
1	2	3
4	5	6
7	8	