

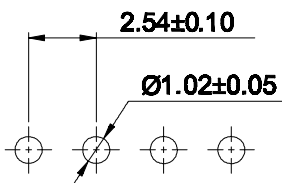


SPECIFICATIONS

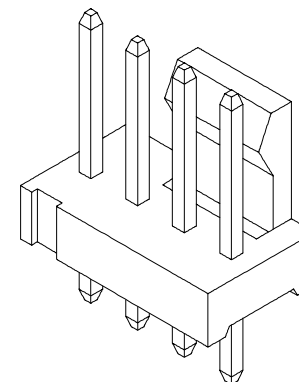
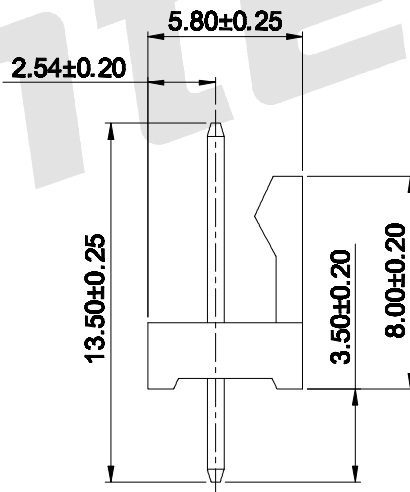
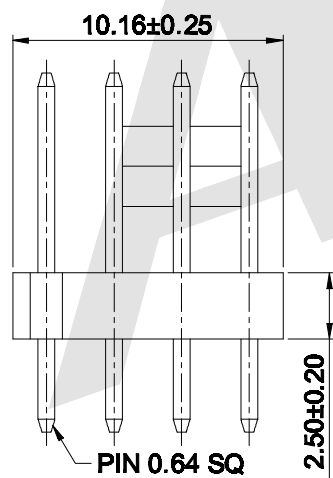
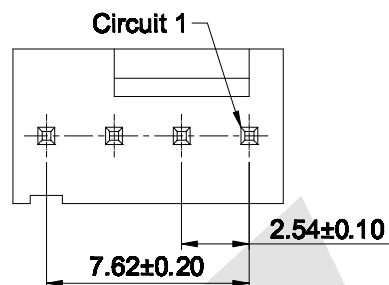
- Voltage rating: 250V AC,DC
- Current rating: 4A AC,DC
- Withstanding Voltage: 1000V AC/minute
- Insulation resistance: 1000MΩ min
- Temperature range: -40°C~+105°C

WAFER

- Part NO: AW2543VC-04P
- Material: Pin: Brass/Tin over Nickel
Insulator: Nylon 66, UL94V-0
- Mates with: AH2543C series Housing
- Color: Beige



P.C.B LAYOUT



Unit:mm

Unless Otherwise specified tolerance
 I ±0.35 I, XX: ±0.20
 I, X: ±0.25 I, XXX: ±0.15

Antenk ANTENK ELECTRONICS CO.,LTD
[Http://www.antenk.com](http://www.antenk.com)
 E-mail:sales@antenk.com

SCALE: As Shown	UNIT: mm
DRAW Jack Bao	DATE 06/19/2018
CHECK Bob Yang	DATE 06/19/2018

TITLE: 2.54mm pitch 180° Wafer Connector Series

DRAWING NO: AW2543VC-04P

PRODUCT NO: AW2543VC-04P

REV	DESCRIPTION	DATE
1		

