



ROHS

NONES:

1. ELECTRICAL:

1) CONTACT RESISTANCE: 30mΩ MAX (INITIAL) FOR VBUS AND GND CONNECTS, OTHER 50mΩ MAX (INITIAL)

Changes after environmental and life testing : +10Ω MAX

2) INSULATION RESISTANCE: 100MΩ MIN.

3) RATED CURRENT: 1.5A

4) WITHSTAND VOLTAGE: 100V AC (RMS)

2. MECHANICAL

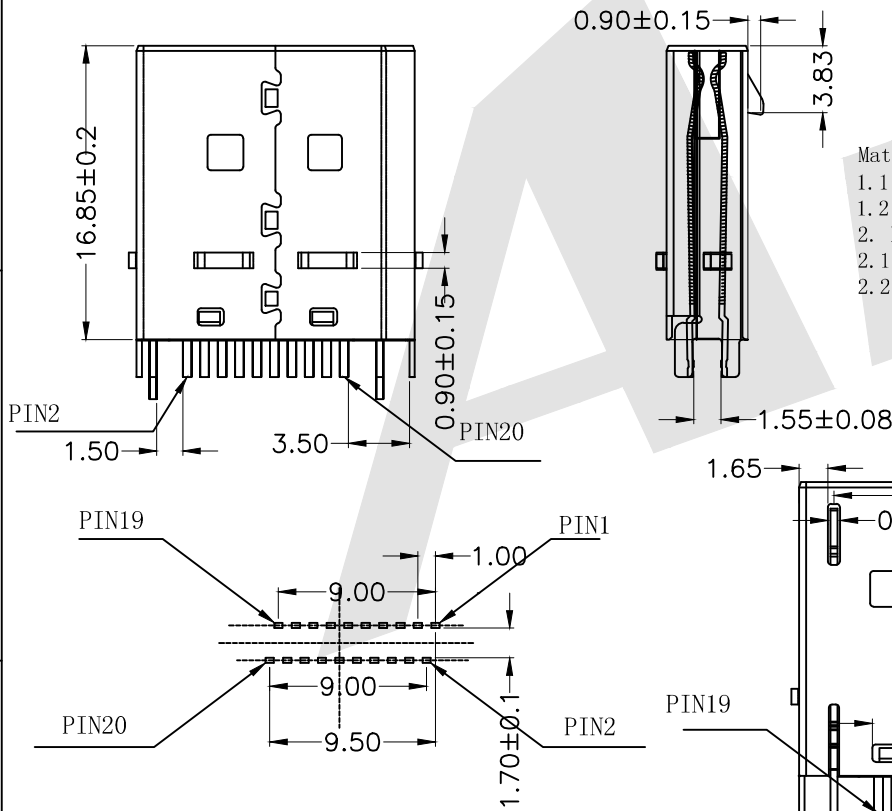
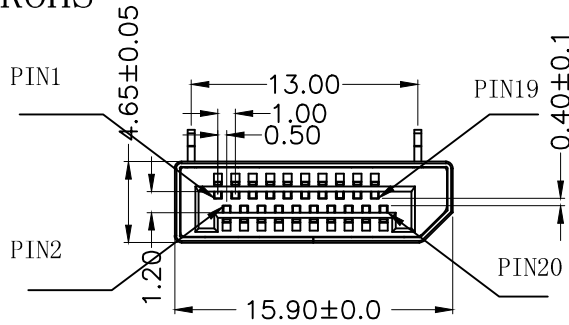
1) INSERT FORCE: 35N MAX.

2) WITHDRAWAL FORCE: 10N (INITIAL) MIN. AFTER RECYCLE TEST: 8N MIN.

3) CYCLE LIFE: 5000 CYCLES

3. ENVIRONMENTAL CHARACTERS: TEMPERATURE RANGE: -40°C ~ +85°C

4. Conforms to the company's environmental substance management standards



Material Specification

1.1 Terminal: 0.3\*C5191/0.3\*H65

1.2 Housing: LCP, Black

2. Finish

2.1 Terminal: Selective Gold and matte Tin

2.2 Shell: Gold Plating.

Ordering Code:

DP	M	X	X	06
①	②	③	④	⑤

① Series No:

② Male / female:

M: male

③ Contact Plating:

1: Selective 1u"

2: Selective 3u"

3: Selective 5u"

4: Selective 15u"

5: Selective 30u"

6: All Gold

④ Shell Plating:

1: Nickel Plated

2: Tin-Nickel Plated

3: Gold Plated

⑤ Series Num

06

Unless Otherwise specified tolerance

X. ±0.35 X.XX: ±0.20

X.X: ±0.25 X.XXX: ±0.15

SCALE:

As Shown

UNIT:

mm

DRAW

ZLA

DATE

26/03/2022

CHECK

BobYang

DATE

26/03/2022



ANTENK ELECTRONICS CO., LTD

Http://www.antenk.com

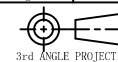
E-mail: sales@antenk.com

TITLE:

Display Port 20P Plug Straddle 1.6mm, With Hook, With Weld Leg, Copper Shell

DRAWING NO: DP-MXX06

PRODUCT NO: DP-MXX06



3rd ANGLE PROJECTION

REV

DESCRIPTION

DATE

1

2

3

4

5

6

7

8