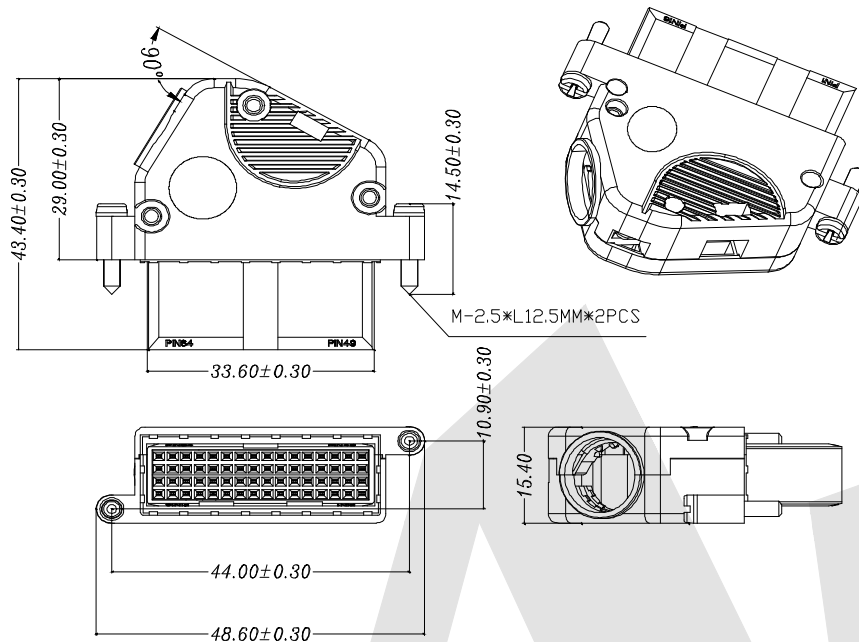


HSF



Ordering Code:

VDSL - 4 A 64 X CB S5 X
 ① ② ③ ④ ⑤ ⑥ ⑦ ⑧

- ① Series
- ② 4 Row
- ③ A: IDC Type
- ④ No. of Contacts
64: 4*16=64P
- ⑤ 1: AWG 24/26
2: AWG 28/30
- ⑥ DIP TIN CONTACT AU+PD/NI

- ⑦ Contact Plating:
 - S0: Selective
 - S1: Selective 3u
 - S2: Selective 5u
 - S3: Selective 10u
 - S4: Selective 15u
 - S5: Selective 30u
 - SN: Tin
- ⑧ Packing:
 - A: Tray
 - B: Bag

Performance characteristics:

1. Main body part material
 - Insulator; PBT BLACK UL94V-0
 - Shroud housing: PBT BLACK UL94V-0
 - Terminal: Phosphor bronze, 1. 27um Ni under plated, outer plating see part number rule
 - Cover: Zinc alloy, Sn plated over all.
 - Cable clamp: Steel, Sn plated over all.
 - Screw: Stainless steel
2. Electrical requirements:
 - Current rating: 1A
 - Contact resistance: ≤20 mΩ
 - Insulation resistance; ≥500 mΩ
 - Withstanding voltage: PIN TO PIN: 1000 Vr.m.s, 1mA, 60s
 - PIN TO Ground: 1500 Vr.m.s, 1mA, 60s
3. Mechanical requirements
 - Insertion force: ≤0.75 N/pin
 - Extraction force: ≥0.15 N/pin
 - Wire gauge: AWG24/26; AWG28/30
4. Environment specification
 - Working temperature: -55°C ~ +125°C
5. Applicable standard: IEC61076-4-104
6. Packing & storing
 - Method of packing: Tray, inner box, outer box
 - Storing condition: temperature of -10°C ~ +40°C below 80% relative humidity
7. Style of installation: IDC Installation
8. To prevent the pollution of the environment product info
RoHS agreement: In line with the European Union RoHS.

Unless Otherwise specified tolerance
 X. ±0.35 X.XX: ±0.20
 X.X: ±0.25 X.XXX: ±0.15

SCALE: As Shown UNIT: mm
 DRAW ZLA DATE 08/17/2021
 CHECK BobYang DATE 08/17/2021



Antenk® ANTENK ELECTRONICS CO., LTD
 Http://www.antenk.com
 E-mail: sales@antenk.com

TITLE:
2.00MM VDSL 64P IDC Cable Connector

DRAWING NO: VDSL-4A64XCBS5X

PRODUCT NO: VDSL-4A64XCBS5X

△ Revise part number information

2022/2/9

REV DESCRIPTION DATE