



SPECIFICATIONS

- Voltage rating: 250V AC,DC
- Current rating: 4A AC,DC
- Withstanding Voltage: 1000V AC/minute
- Insulation resistance: 1000MΩ min
- Temperature range: -40°C~+105°C

WAFER

- Part NO: AW2543RA-xP
- Material: Pin: Brass/Tin over Nickel
Insulator: Nylon 66, UL94V-0
- Mates with: AH2543 series Housing
- Color: Brown or White

Ordering Information & Dimensions:

Poles	Part No.	Dimensions(mm)	
		A	B
02	AW2543RA-02P	2.54	5.08
03	AW2543RA-03P	5.08	7.62
04	AW2543RA-04P	7.62	10.16
06	AW2543RA-06P	10.16	12.70
06	AW2543RA-06P	12.70	15.24
07	AW2543RA-07P	15.24	17.78
08	AW2543RA-08P	17.78	20.32
09	AW2543RA-09P	20.32	22.86
10	AW2543RA-10P	22.86	25.40
11	AW2543RA-11P	25.40	27.94
12	AW2543RA-12P	27.94	30.48
13	AW2543RA-13P	30.48	33.02
14	AW2543RA-14P	33.02	35.56
15	AW2543RA-15P	35.56	38.10
16	AW2543RA-16P	38.10	40.64
17	AW2543RA-17P	40.64	43.18
18	AW2543RA-18P	43.18	45.72
19	AW2543RA-19P	45.72	48.26
20	AW2543RA-20P	48.26	50.80
21	AW2543RA-21P	50.80	53.34
22	AW2543RA-22P	53.34	55.88
23	AW2543RA-23P	55.88	58.42
24	AW2543RA-24P	58.42	60.96
25	AW2543RA-25P	60.96	63.50
26	AW2543RA-26P	63.50	66.04
27	AW2543RA-27P	66.04	68.58
28	AW2543RA-28P	68.58	71.12

Unit:mm

Ordering Information:

AW2543RA-xP - * - **

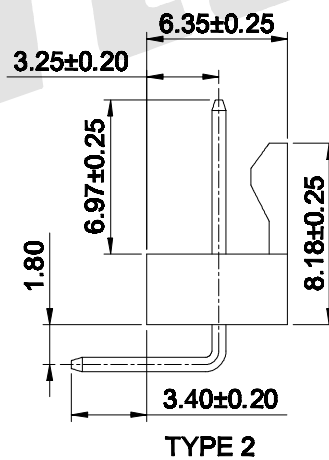
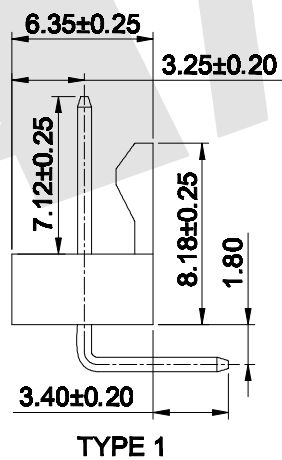
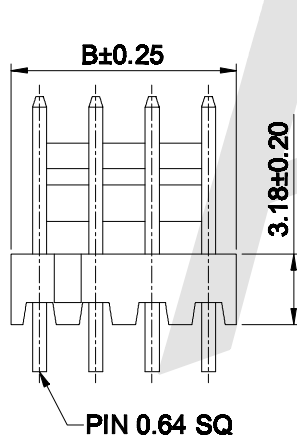
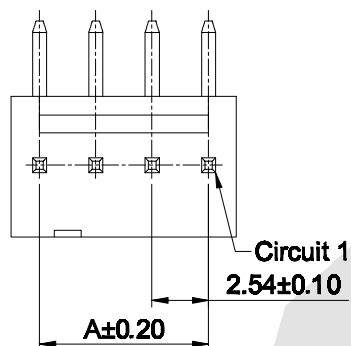
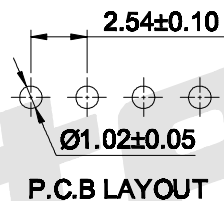
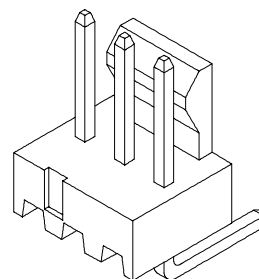
1 2 3

1.Part No.

2.Style:
(blank) :Type 1
2 :Type 2

3.Color:

(blank):Brown
WH: White



Unless Otherwise specified tolerance

I ±0.35 I, XX: ±0.20
I, X: ±0.25 I, XXX: ±0.15

SCALE: As Shown UNIT: mm

DRAW Jack Bao DATE 06/19/2018

CHECK Bob Yang DATE 06/19/2018



Antenk ANTENK ELECTRONICS CO.,LTD
Http://www.antenk.com
E-mail:sales@antenk.com

TITLE: 2.54mm pitch 90° Wafer Connector Series

DRAWING NO: AW2543RA-xP

PRODUCT NO: AW2543RA-xP

REV DESCRIPTION

DATE

1 2 3 4 5 6 7 8