

HSF



ROHS

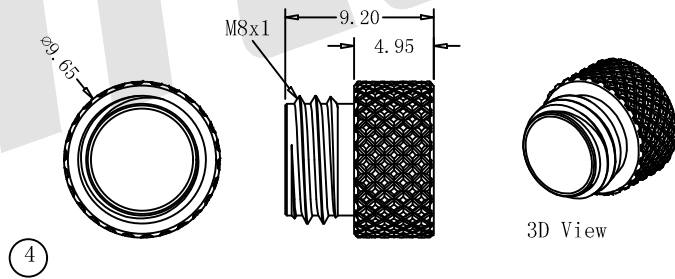
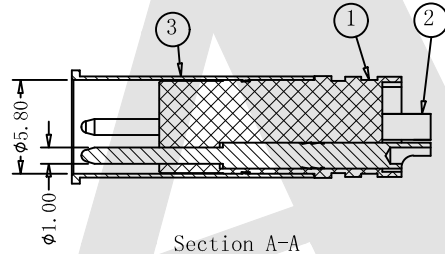
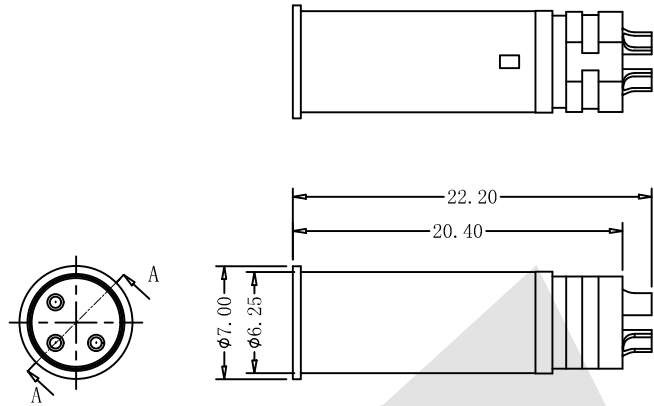
Notes:

- 1. Waterproof rate: IP67
IP67: Immersed in 1M water for 30 Minutes
- 2. Electrical characteristics
Temperature range: -40° C to +85° C
rating: 60V AC/DC 5A
Dielectric withstanding voltage: 500V AC for one minute

Order Code:

M8 - XP - M - 166-0
① ② ③ ④

- ① Type of M series: M8
- ② NO. of PINS: 02~04
- ③ Gender option: Male
- ④ Series number: 166-0



M8-02P-M-166-0	
M8-03P-M-166-0	
M8-04P-M-166-0	
P/N	PIN ASSIGNMENTS FRONT VIEW

4	Shell	Copper alloy	Nickel plating 60u	1
3	copper pipe	Copper alloy	Nickel plating 60u	1
2	Plug Pin	Copper alloy	Gold plating 1u	2~4
1	Plastic core	Nylon UL94 V-0	Black	1
NO.	ITEM	MATERIALS	SURFACE	QUANTITY

Unless Otherwise specified tolerance
X. ±0.35 X.XX: ±0.20
X.X: ±0.25 X.XXX: ±0.15

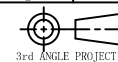
SCALE: As Shown UNIT: mm
DRAW ZLA DATE 19/04/2022
CHECK BobYang DATE 19/04/2022

Antenk ANTEK ELECTRONICS CO., LTD
Http://www.antenk.com
E-mail: sales@antenk.com

TITLE:
M8 2~4P Male Wire Side

DRAWING NO: M8-XP-M-166-0

PRODUCT NO: M8-XP-M-166-0



REV	DESCRIPTION	DATE
-----	-------------	------