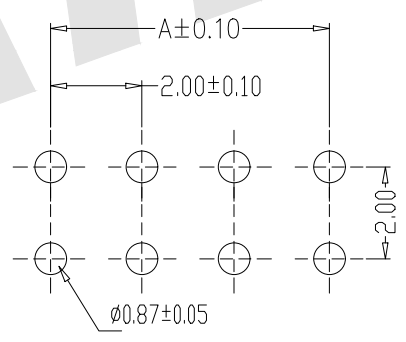
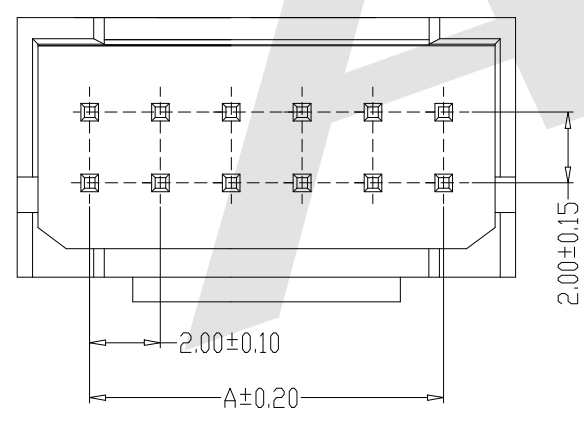
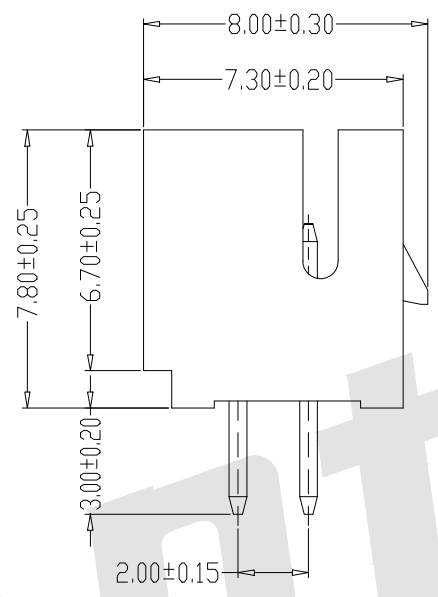
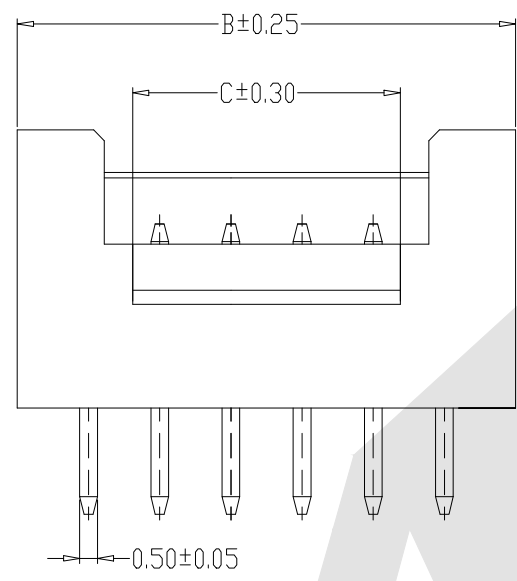


HSF



PCB LAYOUT

SPECIFICATIONS

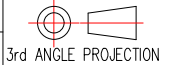
- 1、Current Rating: 3A AC,DC
- 2、Voltage Rating: 250V AC, DC
- 3、Temperatuer Range: -25°C~+85°C
- 4、Contact Resistance: 20mΩ Max
- 5、Insulation Resistance: 1000MΩ Min
- 6、Withstanding Voltage: 800V AC/minute
- 7、Material:

Housing: Nylon66, UL94V-0
PIN: Brass Tin-plated

Part No.	Dimension (mm)		
	A	B	C
AW2008V-2x02P	2.00	6.00	3.00
AW2008V-2x03P	4.00	8.00	3.00
AW2008V-2x04P	6.00	10.00	3.00
AW2008V-2x05P	8.00	12.00	5.00
AW2008V-2x06P	10.00	14.00	7.00
AW2008V-2x07P	12.00	16.00	9.00
AW2008V-2x08P	14.00	18.00	11.00
AW2008V-2x09P	16.00	20.00	13.00
AW2008V-2x10P	18.00	22.00	15.00
AW2008V-2x11P	20.00	24.00	17.00
AW2008V-2x12P	22.00	26.00	19.00
AW2008V-2x13P	24.00	28.00	21.00
AW2008V-2x14P	26.00	30.00	23.00
AW2008V-2x18P	34.00	38.00	31.00
AW2008V-2x22P	42.00	46.00	39.00

Unless Otherwise specified tolerance
X.±0.35 X.XX:±0.20
X.X:±0.25 X.XXX:±0.15

SCALE: As Shown UNIT: mm
DRAW ZLA DATE 06/03/2023
CHECK BobYang DATE 06/03/2023
VER./版本号



Antenk ANTENK ELECTRONICS CO.,LTD
Http://www.antenk.com
E-mail:sales@antenk.com

TITLE: 2.00mm pitch 180° Dual Row Wafer Connector

DRAWING NO: AW2008V-2xNP
PRODUCT NO: AW2008V-2xNP

MK/标记	DESCRIPTION/修订内容	DATE/日期 (M/D/Y)