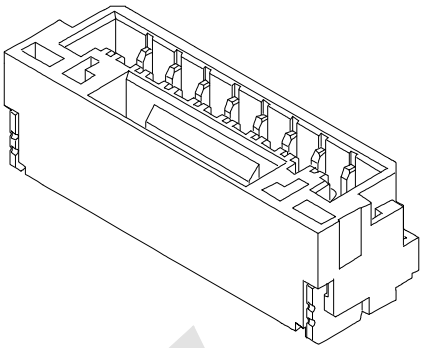


HSF

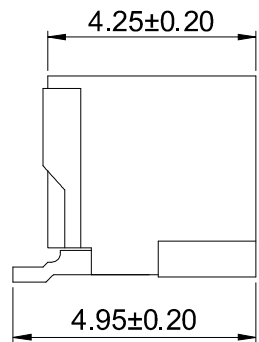
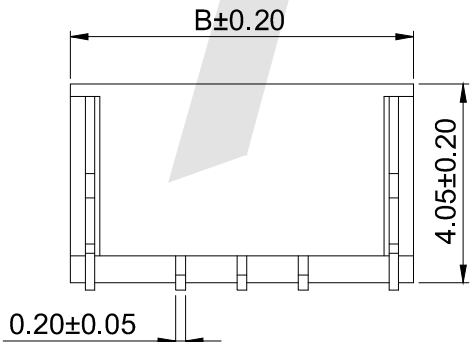
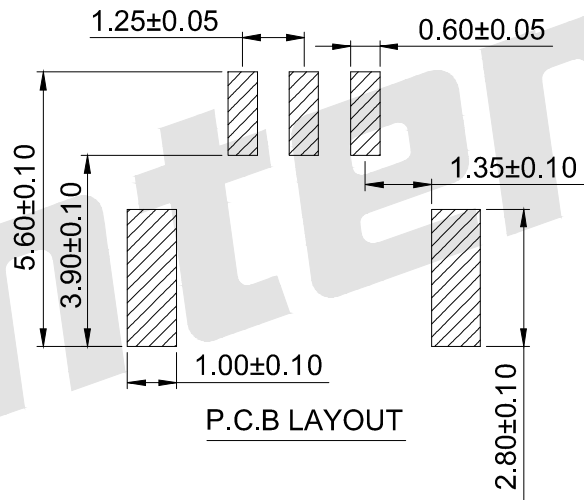
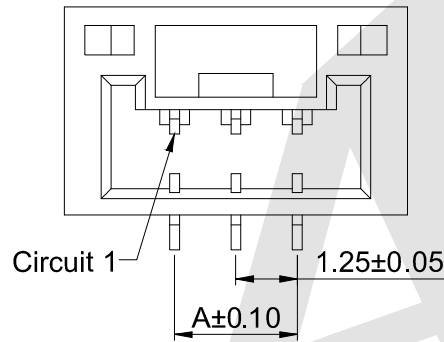


SPECIFICATIONS

- Voltage rating: 50V AC/DC
- Current rating: 1A AC, DC
- Withstanding Voltage: 500V AC/minute
- Insulation resistance: 100MΩ min
- Temperature range: -40°C~+105°C

WAFER

- Part NO: AW1257V-S-xP
- Material: Pin: Brass/Tin over Nickel
Insulator: Nylon 9T, UL94V-0
- Mates with: AH1257 series Housing
- Color: Ivory



Ordering Information & Dimensions:

Poles	Part No.	Dimensions (mm)	
		A	B
02	AW1257V-S-02P	1.25	5.75
03	AW1257V-S-03P	2.50	7.00
04	AW1257V-S-04P	3.75	8.25
05	AW1257V-S-05P	5.00	9.50
06	AW1257V-S-06P	6.25	10.75
07	AW1257V-S-07P	7.50	12.00
08	AW1257V-S-08P	8.75	13.25
09	AW1257V-S-09P	10.00	14.50
10	AW1257V-S-10P	11.25	15.75
11	AW1257V-S-11P	12.50	17.00
12	AW1257V-S-12P	13.75	18.25
13	AW1257V-S-13P	15.00	19.50
14	AW1257V-S-14P	16.25	20.75
15	AW1257V-S-15P	17.50	22.00

Unit:mm

Unless Otherwise specified tolerance
 X. ±0.35 X.XX: ±0.20
 X.X: ±0.25 X.XXX: ±0.15

Antenk® ANTENK ELECTRONICS CO., LTD
[Http://www.antenk.com](http://www.antenk.com)
 E-mail:sales@antenk.com

SCALE: As Shown	UNIT: mm
DRAW Jack Bao	DATE 11/24/2017
CHECK Bob Yang	DATE 11/24/2017

TITLE: 1.25mm pitch 180° Wafer-SMT Connector Series



DRAWING NO: AW1257V-S-xP
 PRODUCT NO: AW1257V-S-xP

REV	DESCRIPTION	DATE