

HSF



ROHS

|        |       |        |        |        |        |        |        |        |        |
|--------|-------|--------|--------|--------|--------|--------|--------|--------|--------|
| A-CODE | 9 Pin | 10 Pin | 11 Pin | 12 Pin | 13 Pin | 14 Pin | 15 Pin | 16 Pin | 17 Pin |
|        |       |        |        |        |        |        |        |        |        |

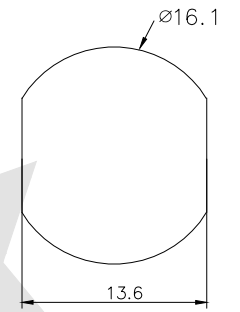
Order Code:

M1202 - A - XP - M - 012  
 ① ② ③ ④ ⑤

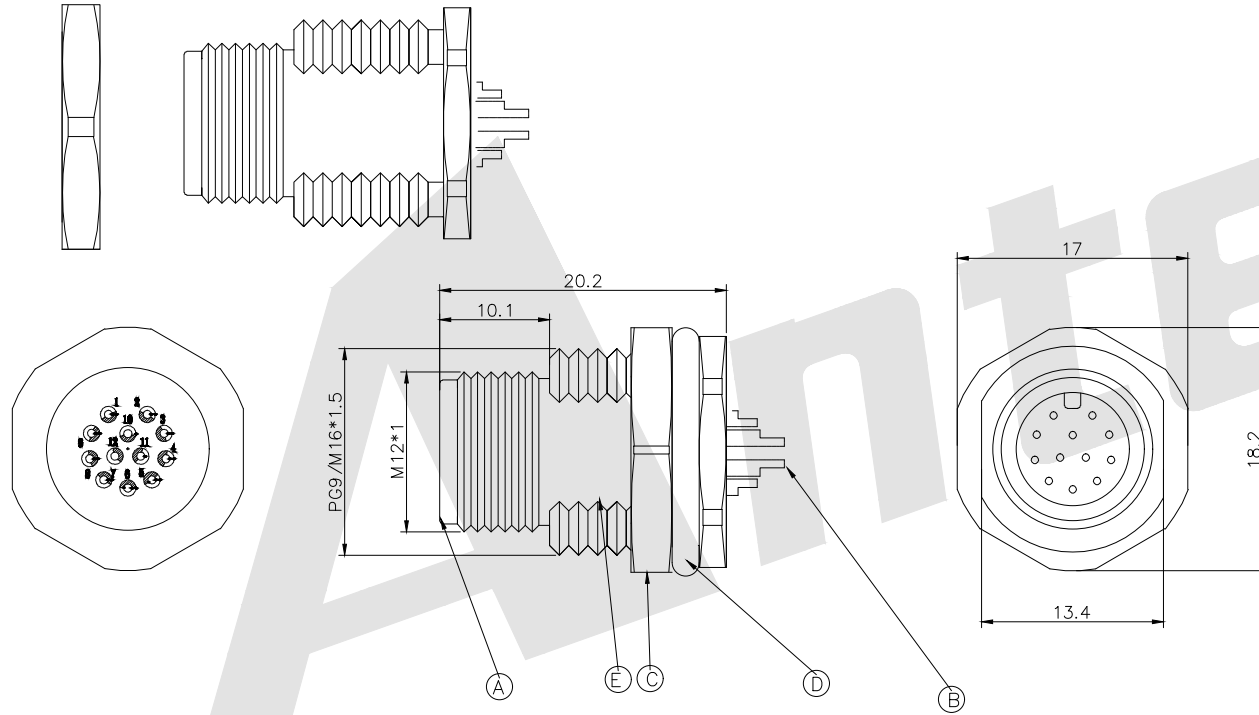
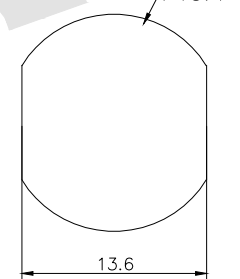
- ① Type of M series : M1202
- ② Code Option: A
- ③ NO. of PINS: 09~17
- ④ Gender option: Male
- ⑤ Series number: 012

Recommended Panel Cut-out

M16



PG9



|                    |           |                       |               |
|--------------------|-----------|-----------------------|---------------|
| Engagement force   | ≤30N      | Rated volage          | 30V DC        |
| Isengagement force | ≥5N       | Rated current         | 1.5A          |
| echanical lifespan | ≥500      | Insulation resistance | ≥1000 MΩ      |
| IP rating          | IP67/IP68 | Contace resistance    | ≤10mΩ         |
| Flammability       | UL94 v-0  | Operation Temperature | -40 T0+ 105°C |

|      |           |     |                    |
|------|-----------|-----|--------------------|
| E    | Over Mold | 1   | NICKL PLATED BRASS |
| D    | O RING    | 1   | SILIGONE RED       |
| C    | NUT       | 1   | NICKL PLATED BRASS |
| B    | male PIN  | /   | GOLD PLATED BRASS  |
| A    | BODY      | 1   | PA66+GF BLACK      |
| Item | PART NAME | QTY | MATERIAL /FINISH   |

Unless Otherwise specified tolerance  
 X.±0.35 X.XX:±0.20  
 X.X:±0.25 X.XXX:±0.15

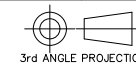
|                    |                    |
|--------------------|--------------------|
| SCALE:<br>As Shown | UNIT:<br>mm        |
| DRAW<br>ZLA        | DATE<br>24/05/2022 |
| CHECK<br>BobYang   | DATE<br>24/05/2022 |

**Antenk** ANTENK ELECTRONICS CO.,LTD  
 Http://www.antenk.com  
 E-mail:sales@antenk.com

TITLE: M12 9~17P Male Waterproof Wire Side  
 Lock Front Panel PG9 M16 SW17T

DRAWING NO: M1202-A-XP-M-012

PRODUCT NO: M1202-A-XP-M-012



|     |             |  |  |      |
|-----|-------------|--|--|------|
| REV | DESCRIPTION |  |  | DATE |
|     |             |  |  |      |