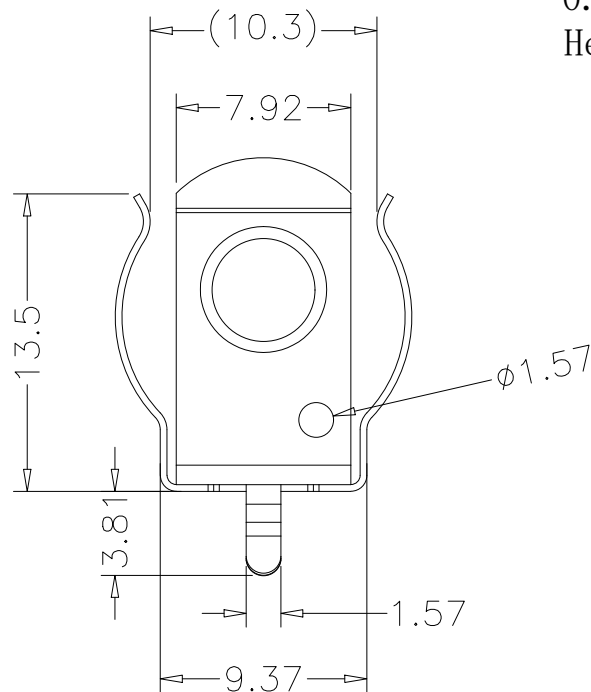
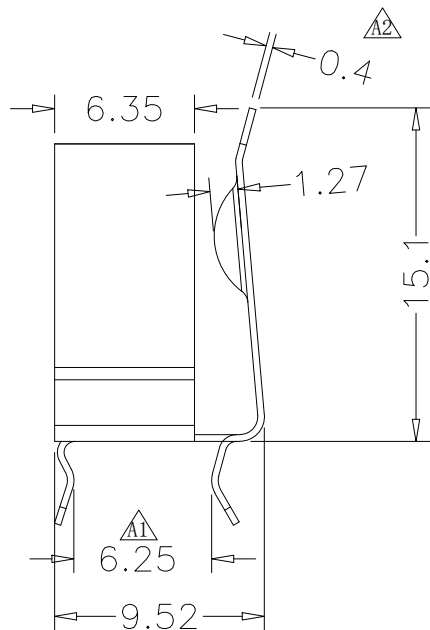




MATERIAL: $\Delta 2$
 0.008 (0.40) Pre-hardened and Nick Plated
 Heat Treat T0 Spring Temper

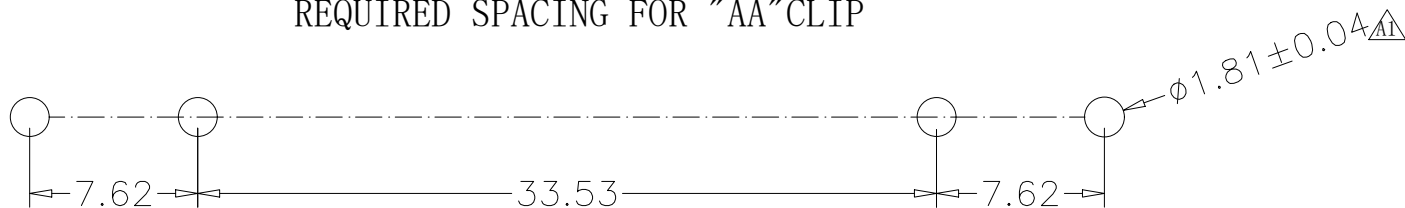


Order Code:

BS — S — SN — B — CR134A-13.5
 ① ② ③ ④ ⑤

- ① BS: Battery Clip
- ② Apperance For The Product S:180 TYPE
- ③ Contact Plating SN: Tin SI: NICKEL Plated
- ④ Packing Method B: Bag R: Tape & Reel Packing
- ⑤ Product Number: CR134A-13.5

REQUIRED SPACING FOR "AA" CLIP



Unless Otherwise specified tolerance
 X. ±0.35 X. XX: ±0.20
 X. X: ±0.25 X. XXX: ±0.15

Antenk® ANTENK ELECTRONICS CO., LTD
[Http://www.antenk.com](http://www.antenk.com)
 E-mail: sales@antenk.com

SCALE: As Shown	UNIT: mm
DRAW Wu Feng Rong	DATE 23/03/2020
CHECK BobYang	DATE 23/03/2020
VER A2	3rd ANGLE PROJECTION

TITLE: "A"&"AA" PC BATTERY CLIP For CR134A
DRAWING NO:
PRODUCT NO: BS-S-SI-R-CR134A-13.5

$\Delta 2$	CHANGE:material0.3->0.4	2023.07.17
$\Delta 1$	CHANGE:1.77->1.81, 5.79->6.25	2023.07.10
REV	DESCRIPTION	DATE