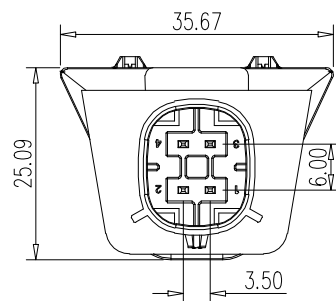
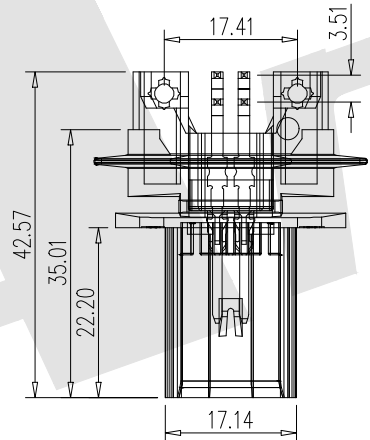
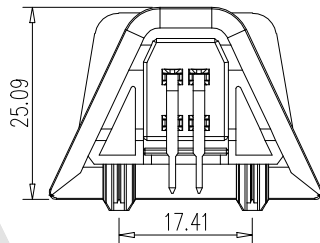
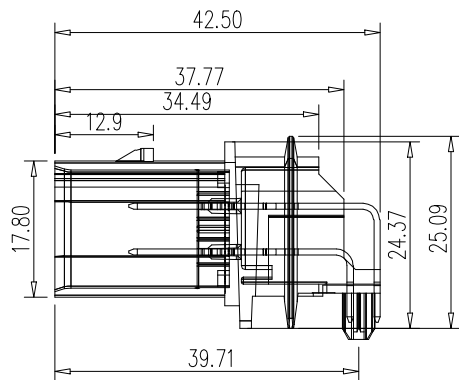


HSF



Notes:  
 1.Material:  
 Housing:PBT+30% GF  
 Terminal: Copper Alloy  
 2.Insertion Force $\geq$ 30N, Withdrawal Force $\leq$ 70N.

Ordering Code:

AUTO-3.5 - 04 SN - A B - X  
 3.5mm pitch | CONTACT NO. 04: 04PIN  
 Contact Plating:  
 G0: Gold Flash  
 G1: 3u" Gold  
 G2: 5u" Gold  
 G3: 10u" Gold  
 G4: 15u" Gold  
 G5: 30u" Gold  
 SN: Tin  
 MATERIAL: A: PBT  
 COLOR: B: BLACK  
 PACK: A: TRAY, B: BOX, C: TUBE

Unless Otherwise specified tolerance  
 X. $\pm$ 0.35 X.XX: $\pm$ 0.20  
 X.X: $\pm$ 0.25 X.XXX: $\pm$ 0.15

SCALE: As Shown UNIT: mm  
 DRAW ZLA DATE 09/30/2022  
 CHECK BobYang DATE 09/30/2022

VER. 3rd ANGLE PROJECTION

**Antenk**® ANTENK ELECTRONICS CO.,LTD  
 Http://www.antenk.com  
 E-mail:sales@antenk.com

TITLE: P3.5X6 04P Automotive Right Angle Male Connector  
 DRAWING NO: AUTO-3.5-04SN-AB-X  
 PRODUCT NO: AUTO-3.5-04SN-AB-X

REV	DESCRIPTION	DATE