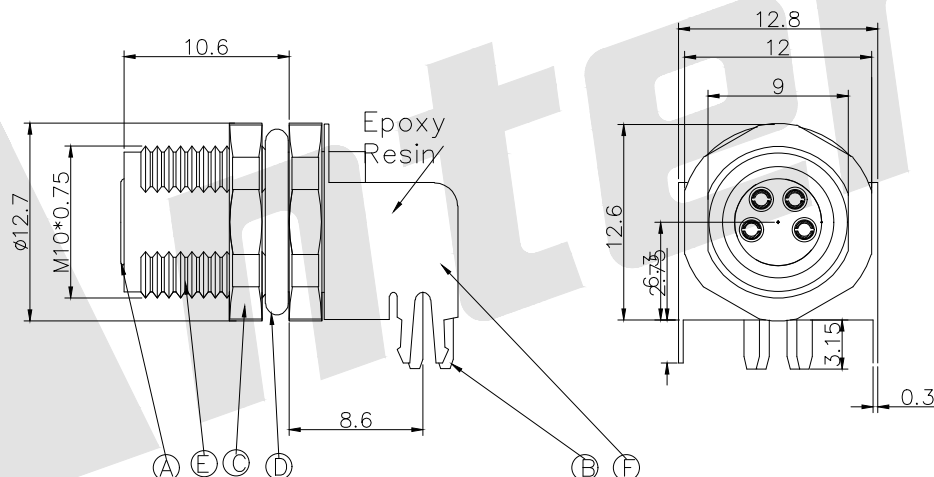


HSF

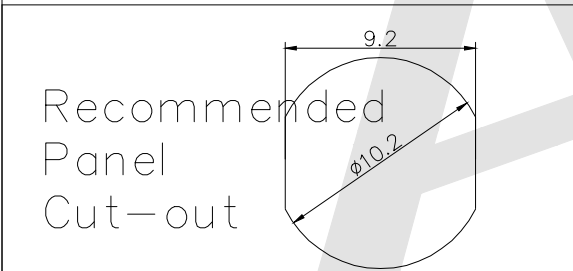


RoHS

M8系列	3P(A-CODE)	4P(A-CODE)	5P(B-CODE)	6P(A-CODE)	8P(A-CODE)
PIN					
CONTACT PIN	1mm	1mm	1mm	0.72mm	0.6mm
PCB PIN	1mm	1mm	1mm	0.6mm	0.6mm
PCB Layout Reference					



Order Code:  
**M802 - XP - F - 002**  
 ① ② ③ ④  
 ① Type of M series : M802  
 ② NO. of PINS: 03~08  
 ③ Gender option: Female  
 ④ Series number: 002



Engagement force	≤30N	Rated volage	2-5pin: 60v DC 6-8pin: 30V DC
Engagement force	≥5N	Rated current	2-5pin: 4A 6-8pin: 2A
Mechanical lifespan	≥500	Insulation resistance	≥1000 MΩ
IP rating	IP67/IP68	Contact resistance	≤10mΩ
Flammability	UL94 v-0	Operation Temperature	-40 TO+105℃

F	Shield	1	NICKL PLATED BRASS
E	Over Mold	1	NICKL PLATED BRASS
D	O RING	1	SILIGONE RED
C	NUT	1	NICKL PLATED BRASS
B	Female PIN	/	PHOSPHOR BRONZE GOLD PLATING OVER NICKEL PLATING
A	BODY	1	PA66+GF BLACK
Item	PART NAME	QTY	MATERIAL /FINISH

Unless Otherwise specified tolerance  
 X:±0.35 X.XX:±0.20  
 X.X:±0.25 X.XXX:±0.15  
 SCALE: As Shown UNIT: mm  
 DRAW ZLA DATE 24/05/2022  
 CHECK BobYang DATE 24/05/2022

**Antenk**® ANTENK ELECTRONICS CO.,LTD  
 Http://www.antenk.com  
 E-mail:sales@antenk.com

TITLE:  
 M8 3~8P Female Waterproof DIP 90°  
 DRAWING NO: M802-XP-F-002  
 PRODUCT NO: M802-XP-F-002

REV	DESCRIPTION	DATE

