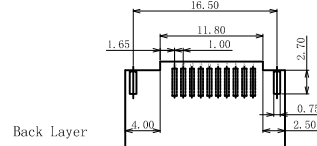
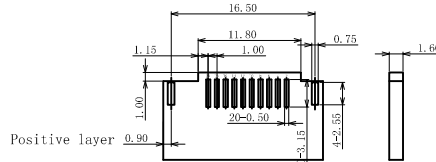
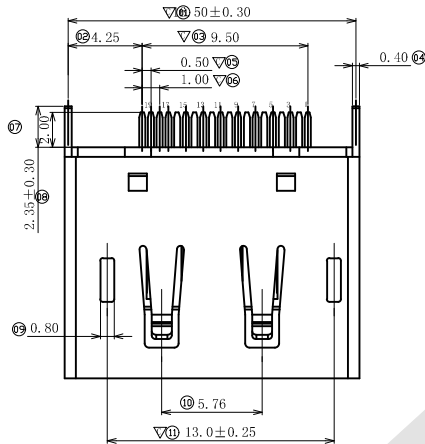


HSF

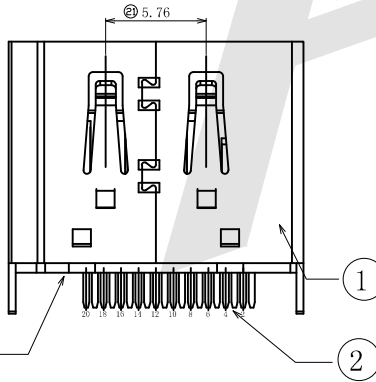
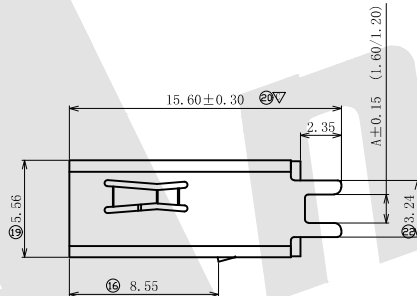
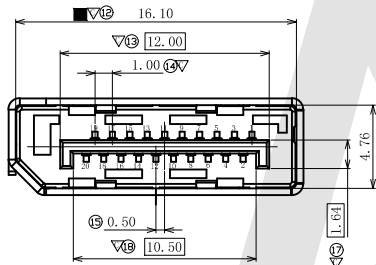


ROHS



PCB Layout Reference
SCALE 2:1

▽:Key control size.
⊗:FAI SIZE.



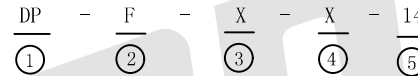
PIN	DEFINITION	PIN	DEFINITION
1	ML_Lane0 (P)	11	GND
2	GND	12	ML_Lane3 (N)
3	ML_Lane0 (N)	13	CFG1
4	ML_Lane1 (P)	14	CFG2
5	GND	15	AUX (HLP)
6	ML_Lane1 (N)	16	GND
7	ML_Lane2 (P)	17	AUX (HLP)
8	GND	18	HOT PLUG
9	ML_Lane2 (N)	19	Return (for Pwr)
10	ML_Lane3 (P)	20	DP-PWR (3.3V 500mA) ▽

NO.	ITEM	MATERIAL	COLOR	REMARKS
3	SHELL	SPCC	—	GOLD/NICKEL PLATED
2	TERMINAL	C2680	—	GOLD/TIN PLATED
1	HOUSING	LCP	BLACK	UL 94V-0

NOTES:

- ELECTRONICAL:
 - CONTACT RESISTANCE: 30mΩ MAX (INITIAL) FOR VBUS AND GND CONNECTS, OTHER 50mΩ MAX (INITIAL)
Changes after environmental and life testing : +10Ω MAX
 - INSULATION RESISTANCE: 100MΩ MIN.
 - RATED CURRENT: 1.5A
 - WITHSTAND VOLTAGE: 100V AC (RMS)
- ENVIRONMENTAL CHARACTERS: TEMPERATURE RANGE: -25°C ~ +85°C
- Conforms to the company's environmental substance management standards

Ordering Code:



- Series No:
- Male / female:
F: female
- Contact Plating:
 - Selective 1u"
 - Selective 3u"
 - Selective 5u"
 - Selective 15u"
 - Selective 30u"
 - All Gold
- Shell Plating:
 - Nickel Plated
 - Tin-Nickel Plated
 - Gold Plated
- Series Number: 14

Unless Otherwise specified tolerance
X. ±0.35 X.XX: ±0.20
X.X: ±0.25 X.XXX: ±0.15

SCALE: As Shown UNIT: mm

DRAW ZLA DATE 26/03/2022

CHECK BobYang DATE 26/03/2022



Antenk ANTEK ELECTRONICS CO., LTD
Http://www.antenk.com
E-mail:sales@antenk.com

TITLE: Display Port Female Straddle 1.2mm, Without Edge Curl, With Fork

DRAWING NO: DP-FXX14

PRODUCT NO: DP-FXX14

REV DESCRIPTION

DATE