

HSF



ROHS

NOTES:

1. Rating:100V AC(rms) 1.5A;
2. Contact Resistance:≤30Milliohm, After Test:≤50Milliohm;
3. Insulation Resistance:≥100Megohm(DC500V) ;
4. Withstand Voltage:AC500V for 1Minute;
5. Insertion force:44.1N Max(no latches);
6. Withdrawal force:9.8N Min(no latches);
7. Latches Strength Pull Force:49N Min;
8. Life test:1000Cycles;
9. Storage Temperature:-55℃~+85℃
10. MATERIALS:

Housing : LCP Black

Contacts: Brass or Phosphor Bronze Gold/ Sn plating

Shell : Spcc / Brass Nickel plating

Ordering Code:

$\frac{DP}{①}$ - $\frac{M}{②}$ - $\frac{X}{③}$ - $\frac{X}{④}$ - $\frac{08}{⑤}$

① Series No:

② Male / female:

M: male

③ Contact Plating:

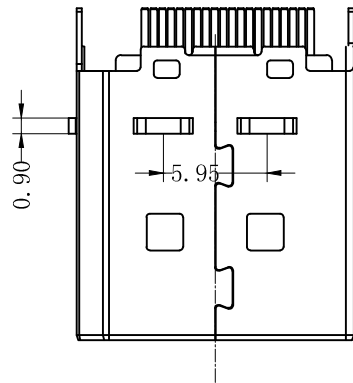
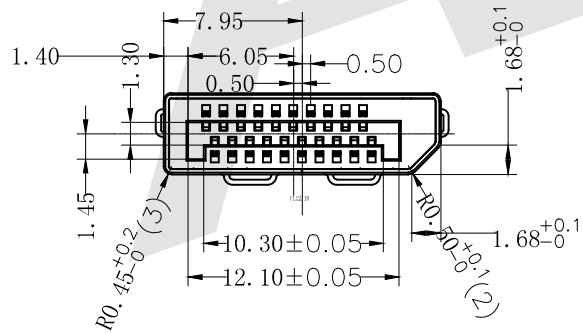
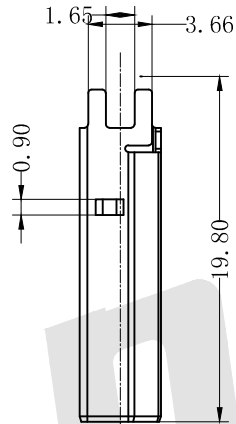
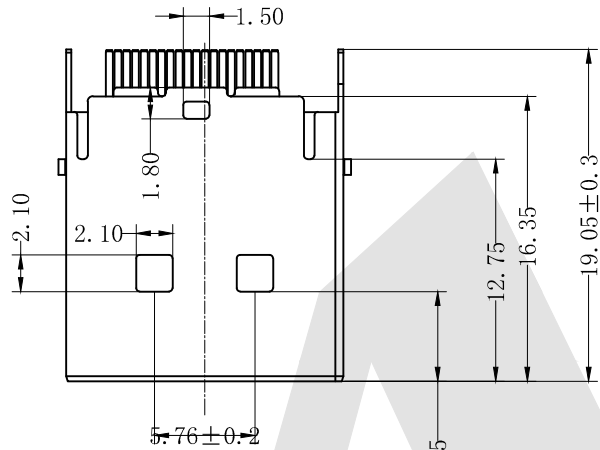
- 1: Selective 1u"
- 2: Selective 3u"
- 3: Selective 5u"
- 4: Selective 15u"
- 5: Selective 30u"
- 6: All Gold

④ Shell Plating:

- 1:Nickel Plated
- 2:Tin-Nickel Plated
- 3:Gold Plated

⑤ Series Numer:

08



Unless Otherwise specified tolerance

X. ±0.35 X.XX:±0.20
X.X:±0.25 X.XXX:±0.15

SCALE: As Shown UNIT: mm

DRAW ZLA DATE 26/03/2022

CHECK BobYang DATE 26/03/2022

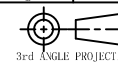


ANTENK ELECTRONICS CO., LTD
Http://www.antenk.com
E-mail:sales@antenk.com

TITLE:
Display Port Plug Straddle 1.6mm Without Hook

DRAWING NO: DP-MXX08

PRODUCT NO: DP-MXX08



3rd ANGLE PROJECTION

REV DESCRIPTION

DATE

1

2

3

4

5

6

7

8