



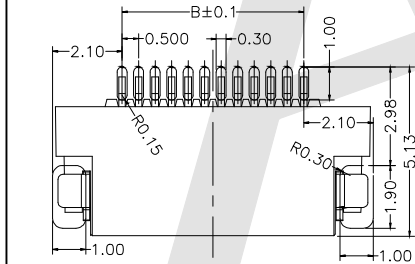
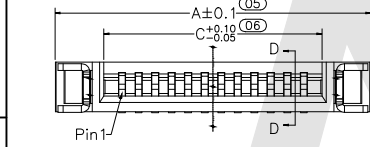
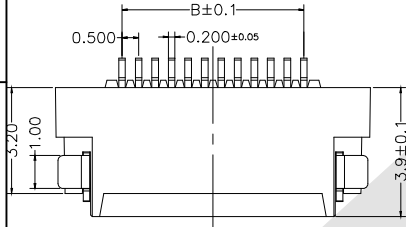
A

B

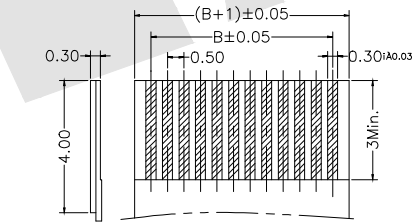
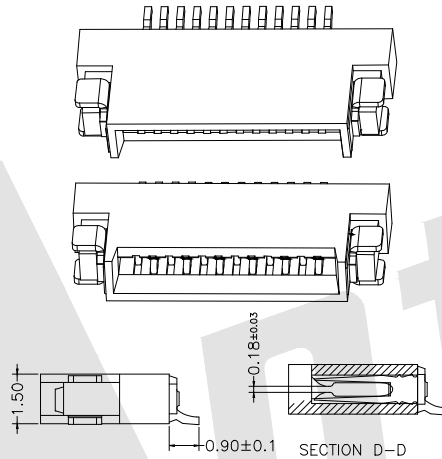
C

D

1 2 3 4 5 6 7 8



Recommended P.C.B Layout



Applicable FPC

Part No.	Dimension			Part No.	Dimension		
	A	B	C		A	B	C
4P	6.00	1.5	2.67	33P	20.00	16.0	17.00
5P	6.00	2.0	3.00	34P	20.00	16.5	17.00
6P	6.00	2.5	3.50	35P	21.00	17.0	18.00
7P	7.00	3.0	4.00	36P	21.00	17.5	18.00
8P	7.00	3.5	4.50	37P	22.00	18.0	19.00
9P	8.00	4.0	5.00	38P	22.00	18.5	19.00
10P	8.00	4.5	5.50	39P	23.00	19.0	20.00
11P	9.00	5.0	6.00	40P	23.00	19.5	20.00
12P	9.00	5.5	6.50	41P	24.00	20.0	21.00
13P	10.00	6.0	7.00	42P	24.00	20.5	21.00
14P	10.00	6.5	7.50	43P	25.00	21.0	22.00
15P	11.00	7.0	8.00	44P	25.00	21.5	22.00
16P	11.00	7.5	8.50	45P	26.00	22.0	23.00
17P	12.00	8.0	9.00	46P	26.00	22.5	23.00
18P	12.00	8.5	9.50	47P	27.00	23.0	24.00
19P	13.00	9.0	10.00	48P	27.00	23.5	24.00
20P	13.00	9.5	10.50	49P	28.00	24.0	25.00
21P	14.00	10.0	11.00	50P	28.00	24.5	25.00
22P	14.00	10.5	11.50	51P	29.00	25.0	26.00
23P	15.00	11.0	12.00	52P	29.00	25.5	26.00
24P	15.00	11.5	12.50	53P	30.00	26.0	27.00
25P	16.00	12.0	13.00	54P	30.00	26.5	27.00
26P	16.00	12.5	13.50	55P	31.00	27.0	28.00
27P	17.00	13.0	14.00	56P	31.00	27.5	28.00
28P	17.00	13.5	14.50	57P	32.00	28.0	29.00
29P	18.00	14.0	15.00	58P	32.00	28.5	29.00
30P	18.00	14.5	15.50	59P	33.00	29.0	30.00
31P	19.00	15.0	16.00	60P	33.00	29.5	30.00
32P	19.00	15.5	16.50				

NOTE:  
 1.MATERIAL  
 HOUSING: LCP UL 94-V0  
 CONTACTS: BRASS T=0.20  
 SOLDER PAD:BRASS T=0.20  
 2.PLATING:  
 CONTACTS:TIN OVER NICKEL  
 3.MARK"▽"DIMENSION IS IMPORTANT DIMENSION

Ordering Code:

FPC0.5 - XX - RM - B - X - X - 15  
 ① ② ③ ④ ⑤ ⑥ ⑦

- ① 0.5mm FPC Series
- ② Contact NO:  
XX=XXpin  
For example:  
24=24pin
- ③ APPERANCE:  
RM:SMT Right Angle  
RT:DIP Right Angle  
SM:SMT Straight  
ST:DIP Straight
- ④ Contact type:  
B:Bottom contact
- ⑤ Packing Type:  
T: Tube packing  
A: tray packing  
R: tape & reel
- ⑥ Plating:  
G0:Gold flash  
G1:3U" gold  
SN:MATT-TIN90-120U"  
SO:SELECTIVE GOLD  
S1:SELECTIVE GOLD 3U"
- ⑦ Series number  
15

Unless Otherwise specified tolerance  
 X. ±0.35 X.XX: ±0.20  
 X.X: ±0.25 X.XXX: ±0.15

SCALE: As Shown UNIT: mm  
 DRAW: tmx DATE: 13/10/2021  
 CHECK: BobYang DATE: 13/10/2021



**Antenk** ANTEK ELECTRONICS CO., LTD  
 Http://www.antenk.com  
 E-mail:sales@antenk.com

TITLE:  
 FPC0.5mm-1.5H Dual contact straight insert SMD type

DRAWING NO: FPC0.5-XXRMBXX15  
 PRODUCT NO: FPC0.5-XXRMBXX15

REV	DESCRIPTION	DATE
1		
2		
3		
4		
5		

1 2 3 4 5 6 7 8