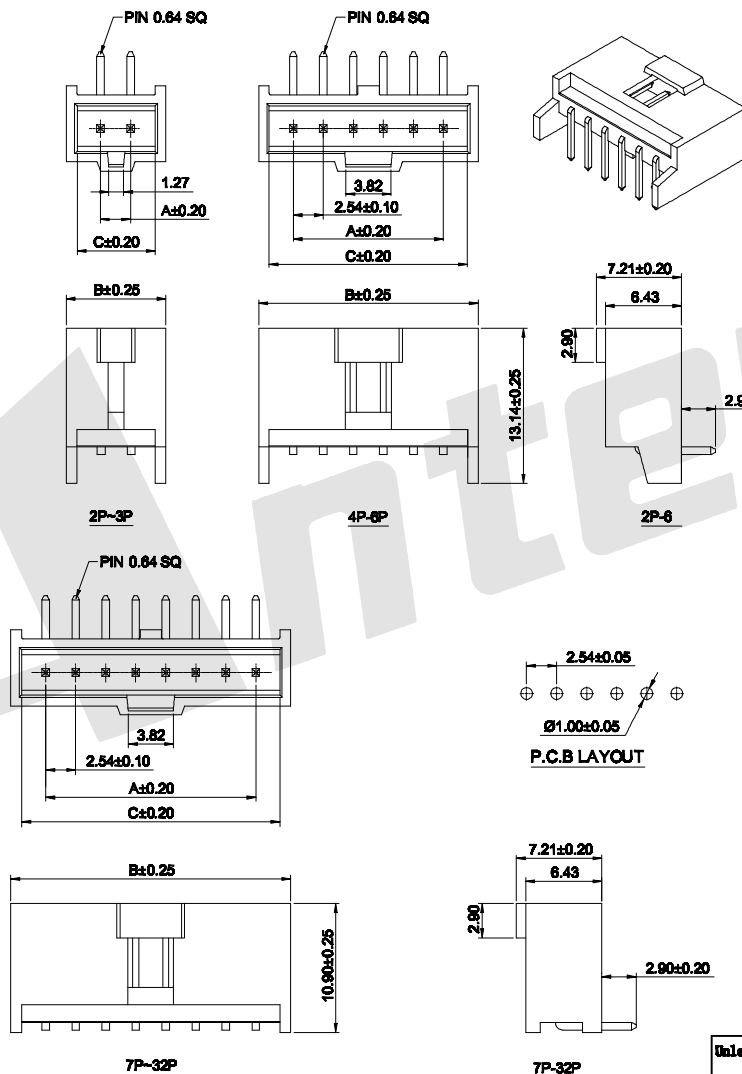




Ordering Information & Dimensions:

Poles	Part No.	Dimensions (mm)		
		A	B	C
02	AW2547RB-02P	2.54	8.43	6.60
03	AW2547RB-03P	5.08	10.97	9.14
04	AW2547RB-04P	7.62	13.51	11.68
05	AW2547RB-05P	10.16	16.05	14.22
06	AW2547RB-06P	12.70	18.59	16.76
07	AW2547RB-07P	15.24	21.13	19.30
08	AW2547RB-08P	17.78	23.67	21.84
09	AW2547RB-09P	20.32	26.21	24.38
10	AW2547RB-10P	22.86	28.75	26.92
11	AW2547RB-11P	25.40	31.29	29.46
12	AW2547RB-12P	27.94	33.83	32.00
13	AW2547RB-13P	30.48	36.37	34.54
14	AW2547RB-14P	33.02	38.91	37.08
15	AW2547RB-15P	35.56	41.45	39.62
16	AW2547RB-16P	38.10	43.99	42.16
17	AW2547RB-17P	40.64	46.53	44.70
18	AW2547RB-18P	43.18	49.07	47.24
19	AW2547RB-19P	45.72	61.61	49.78
20	AW2547RB-20P	48.26	54.15	52.32
21	AW2547RB-21P	50.80	56.69	54.86
22	AW2547RB-22P	53.34	59.23	57.40
23	AW2547RB-23P	55.88	61.77	59.94
24	AW2547RB-24P	58.42	64.31	62.48
25	AW2547RB-25P	60.96	66.85	65.02
26	AW2547RB-26P	63.50	69.39	67.56
27	AW2547RB-27P	66.04	71.93	70.10
28	AW2547RB-28P	68.58	74.47	72.64
29	AW2547RB-29P	71.12	77.01	75.18
30	AW2547RB-30P	73.66	79.55	77.72
31	AW2547RB-31P	76.20	82.09	80.26
32	AW2547RB-32P	78.74	84.63	82.80

Unit:mm

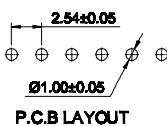


SPECIFICATIONS

- Voltage rating: 250V AC,DC
- Current rating: 3A AC,DC
- Withstanding Voltage: 1500V AC/minute
- Insulation resistance:1000MΩ min
- Temperature range: -40℃~+105℃

WAFER

- Part NO: AW2547RB-xP
- Material: Pin: Brass/Gold over Nickel
Insulator: PBT, UL94V-0
- Mates with: AH2547J series Single Row Housing
- Color: Black



Unless Otherwise specified tolerance	
X ±0.35	X,XX:±0.20
X,X:±0.25	X,XXX:±0.15
SCALE: As Shown	UNIT: mm
DRAW Jack Bao	DATE 06/22/2018
CHECK Bob Yang	DATE 06/22/2018

Antenk ANTENK ELECTRONICS CO.,LTD
[Http://www.antenk.com](http://www.antenk.com)
 E-mail:sales@antenk.com

TITLE: 2.54mm pitch 90° Box header Connector Series

DRAWING NO: AW2547RB-xP

PRODUCT NO: AW2547RB-xP

REV	DESCRIPTION	DATE

