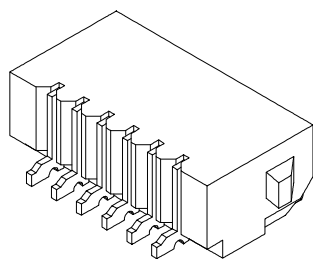


HSF



SPECIFICATIONS

- Voltage rating: 50V AC,DC
- Current rating: 1A, AC, DC
- Withstanding Voltage: 500V AC/minute
- Insulation resistance: 100MΩ min
- Temperature range: -40°C~+105°C

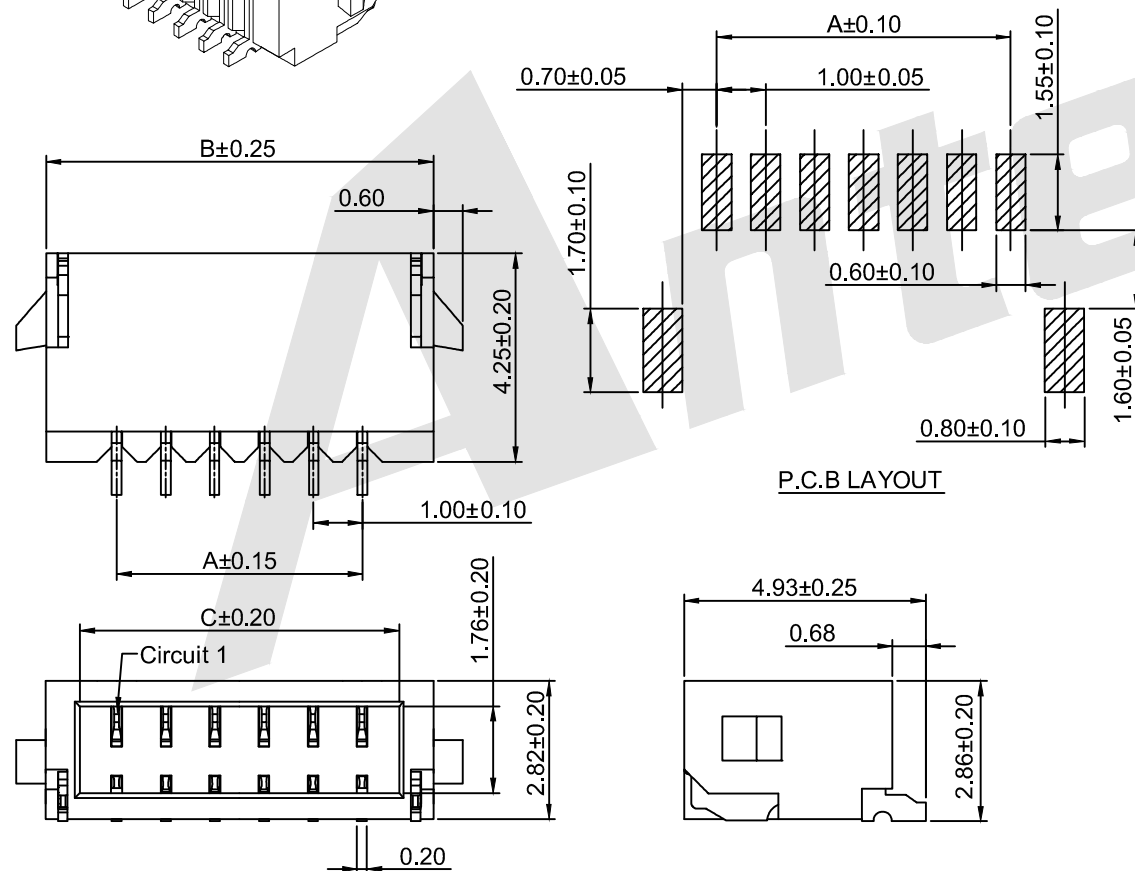
WAFER

- Part NO: AW1002RC-S-xP
- Material: Pin: Brass/Tin over Nickel  
Solder Tabs: Brass/Tin over Nickel  
Insulator: Nylon 9T, UL94V-0
- Mates with: AH1002E-xP series Single Row Housing
- Color: Ivory

Ordering Information & Dimensions:

Part No.	Dimensions (mm)		
	A	B	C
AW1002RC-S-02P	1.00	3.90	2.50
AW1002RC-S-03P	2.00	4.90	3.50
AW1002RC-S-04P	3.00	5.90	4.50
AW1002RC-S-05P	4.00	6.90	5.50
AW1002RC-S-06P	5.00	7.90	6.50
AW1002RC-S-07P	6.00	8.90	7.50
AW1002RC-S-08P	7.00	9.90	8.50
AW1002RC-S-09P	8.00	10.90	9.50
AW1002RC-S-10P	9.00	11.90	10.50
AW1002RC-S-11P	10.00	12.90	11.50
AW1002RC-S-12P	11.00	13.90	12.50
AW1002RC-S-13P	12.00	14.90	13.50
AW1002RC-S-14P	13.00	15.90	14.50
AW1002RC-S-15P	14.00	16.90	15.50
AW1002RC-S-16P	15.00	17.90	16.50
AW1002RC-S-17P	16.00	18.90	17.50
AW1002RC-S-18P	17.00	19.90	18.50
AW1002RC-S-19P	18.00	20.90	19.50
AW1002RC-S-20P	19.00	21.90	20.50

Unit: mm



Unless Otherwise specified tolerance  
 X. ±0.35 X.XX: ±0.20  
 X.X: ±0.25 X.XXX: ±0.15

**Antenk**® ANTENK ELECTRONICS CO., LTD  
[Http://www.antenk.com](http://www.antenk.com)  
 E-mail:sales@antenk.com

SCALE: As Shown UNIT: mm  
 DRAW: Jack Bao DATE: 10/23/2017  
 CHECK: Bob Yang DATE: 10/23/2017

TITLE: 1.00mm pitch 90° Single Row Wafer-SMT Connector Series



DRAWING NO: AW1002RC-S-xP  
 PRODUCT NO: AW1002RC-S-xP

REV	DESCRIPTION	DATE