

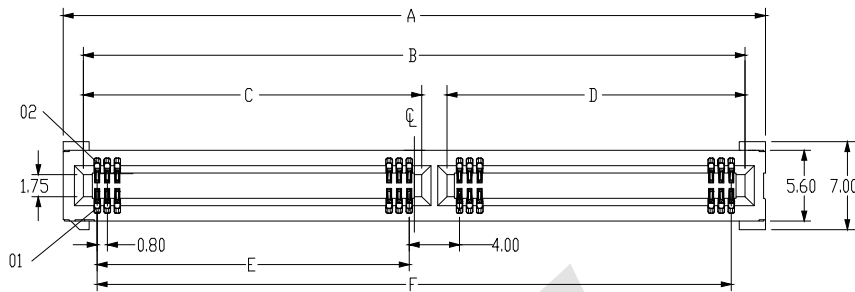
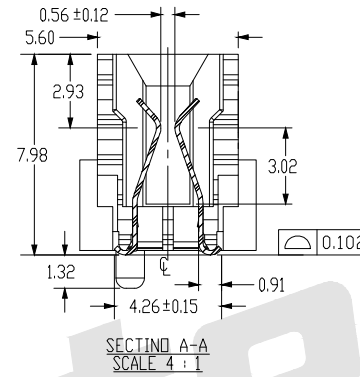


Specif tiom
 1 Current Rating:1.0A AC/DC
 2 Voieage Rating:300V AC/DC
 3 Operating Temperature:-55° C To +125° C
 4.Operating Humidity:90% To 95%
 5.Withstanding Voltage:500VAC

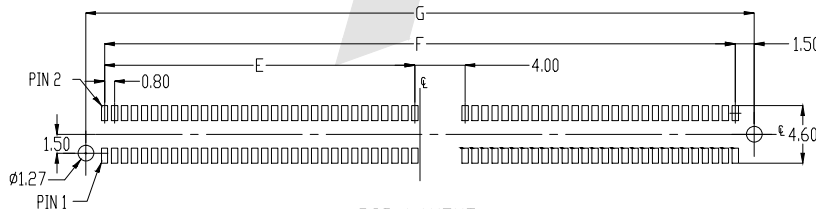
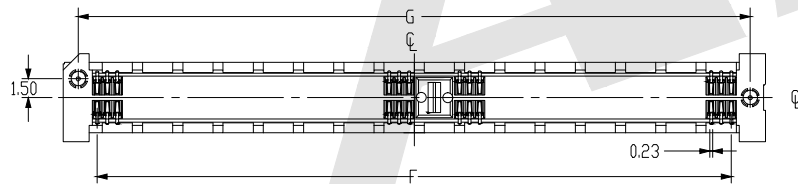
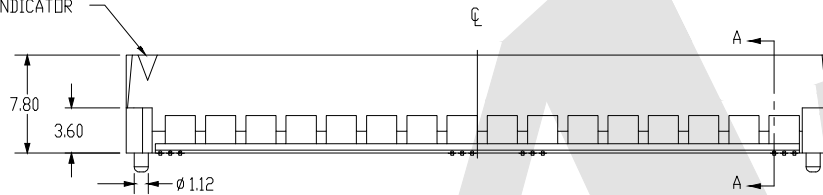
Ordering Code:

BBO.8 - H - X - X - X - X - 04
 ① ② ③ ④ ⑤ ⑥

- ① Series NO:
0.8mm PCI Connector
- ② BBO.8M Height:
H=8.00mm
- ③ NO. of Contacts:
26:26p
50:50p
74:74p
80:80p
98:98p
100:100p
120:120p
140:140p
160:160p
180:180p
- ④ Contact Plating
G0: Gold flash
G1: 3u" Gold
G2: 5u" Gold
G3: 10u" Gold
G4: 15u" Gold
G5: 30u" Gold
SN: Tin
- ⑤ Packing
R:tape&Reel
- ⑥ serial number: 04



POSITION #1 INDICATOR



POSITION	A	B	C	D	E	F	G
26	18.20	15.00	6.10	6.90	4.00	12.80	15.80
50	27.80	24.60	6.10	16.50	4.00	22.40	25.40
74	37.40	34.20	18.10	14.10	16.00	32.00	35.00
80	39.80	36.60	18.90	15.70	16.80	34.40	37.40
98	47.00	43.80	22.90	18.90	20.80	41.60	44.60
100	47.80	44.60	22.90	19.70	20.80	42.40	45.40
120	55.80	52.60	26.90	23.70	24.80	50.40	53.40
140	63.80	60.60	26.90	31.70	24.80	58.40	61.40
160	71.80	68.60	26.90	39.70	24.80	66.40	69.40
180	79.80	76.60	26.90	47.70	24.80	74.40	77.40

Unless Otherwise specified tolerance
 X. ±0.35 X.XX: ±0.20
 X.X: ±0.25 X.XXX: ±0.15

SCALE: As Shown UNIT: mm

DRAW: TMX DATE: 11/11/2021

CHECK: BobYang DATE: 11/11/2021



ANTENK ELECTRONICS CO., LTD
 Http://www.antenk.com
 E-mail:sales@antenk.com

TITLE:
0.8mm VERTICAL SMD EDGE RATE CARD SOCKET

DRAWING NO: BBO.8-HXXX04

PRODUCT NO: BBO.8-HXXX04

REV	DESCRIPTION	DATE