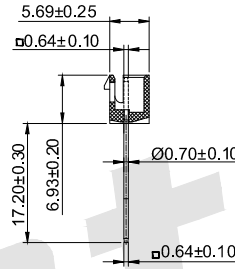
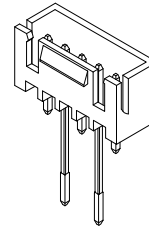
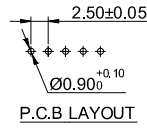
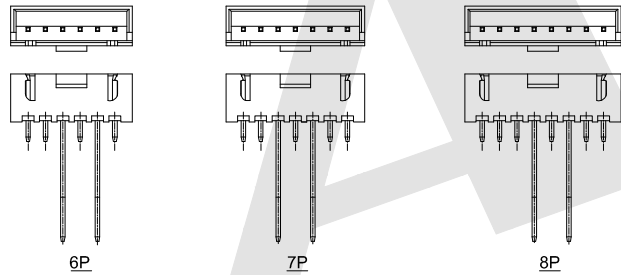
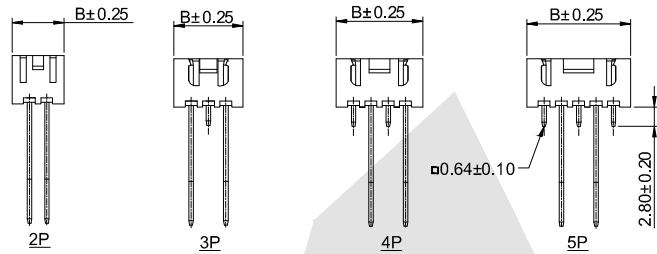
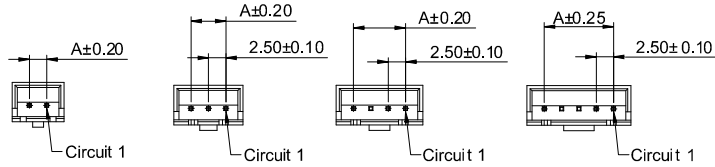


HSF



ROHS



Ordering Information:
A2512WVT-XP - **
1 2

1.Part No
2.Color:
(blank): White
BK:Black
RD:Red
YL:Yellow
BL:Blue
GN:Green

SPECIFICATIONS

- Voltage rating: 500V AC,DC
- Current rating: 3A AC,DC
- Withstanding Voltage: 1000V AC/minute
- Insulation resistance:500MΩ min
- Temperature range: -40°C~+105°C

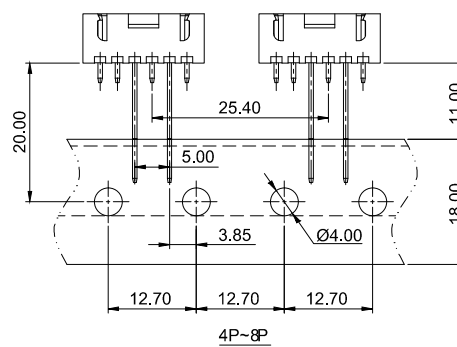
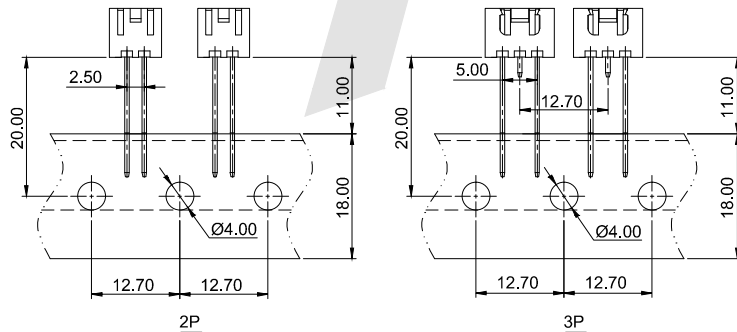
WAFER

- Part NO: AW2512VT-xP
- Material: Pin: Brass/Tin over Nickel
Insulator: Nylon 66, UL94V-0
- Mates with: AH2512、AH2501 series
Housing
- Color: White

Ordering Information & Dimensions:

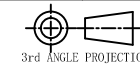
PART NO.	Dimensions	
	A	B
AW2512VT-2P	2.50	7.50
AW2512VT-3P	5.00	10.00
AW2512VT-4P	7.50	12.50
AW2512VT-5P	10.00	15.00
AW2512VT-6P	12.50	17.50
AW2512VT-7P	15.00	20.00
AW2512VT-8P	17.50	22.50

Unit: mm



Unless Otherwise specified tolerance
X. ±0.35 X.XX: ±0.20
X.X: ±0.25 X.XXX: ±0.15

SCALE: As Shown	UNIT: mm
DRAW Jack Bao	DATE 5/14/2018
CHECK Bob Yang	DATE 5/14/2018



Antenk ANTENK ELECTRONICS CO., LTD
Http://www.antenk.com
E-mail:sales@antenk.com

TITLE: 2.50mm pitch 180° Wafer ON RADIAL-TAPE
Connector Series

DRAWING NO: AW2512VT-xP

PRODUCT NO: AW2512VT-xP

REV	DESCRIPTION	DATE
1		
2		
3		
4		
5		