

NOTE:

1. ALL INSIDE BEND RADII TO BE A MIN. OF MATERIAL THICKNESS UNLESS OTHERWISE SPECIFIED.
2. PART MUST BE FREE OF ALL BURRS AND SHARP EDGES.
3. MAT'L: 0.25 TH'K FULL HARD PHOSPHOR BRONZE
4. FINISH: NICKEL PLATE
0.00254-0.00762 NICKEL, OVER
0.00127-0.00254 COPPER
5. INDICATES CRITICAL DIMENSION

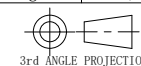
Order code:

BS - M - SI - R - CR3034B
 ① ② ③ ④ ⑤

- ① BS: Battery contacts
- ② Appearance for the product
M: SMT TYPE
- ③ Contact Plating
SI: Nickel plated
SN: Tin
G0: Gold flash
G1: 3U" Gold
G2: 5U" Gold
G3: 10U" Gold
G4: 15U" Gold
G5: 30U" Gold
- ④ Packing:
B: Bag bulk packing
R: Tape & Reel packing
- ⑤ Product number
CR3034B

Unless Otherwise specified tolerance
 X. ±0.35 X.XX: ±0.20
 X.X: ±0.25 X.XXX: ±0.15

SCALE: As Shown UNIT: mm
 DRAW: GONG FENG DATE: 01/04/2022
 CHECK: BobYang DATE: 01/04/2022



Antenk ANTENK ELECTRONICS CO., LTD
[Http://www.antenk.com](http://www.antenk.com)
 E-mail: sales@antenk.com

TITLE: BATTERY CONTACTS FOR CR3034.
 BR2016. DL2020. CR2025. CR2032

DRAWING NO: BS-M-SI-R-CR3034B
 PRODUCT NO: BS-M-SI-R-CR3034B

REV	DESCRIPTION	DATE
1		
2		
3		
4		
5		



NOTES:

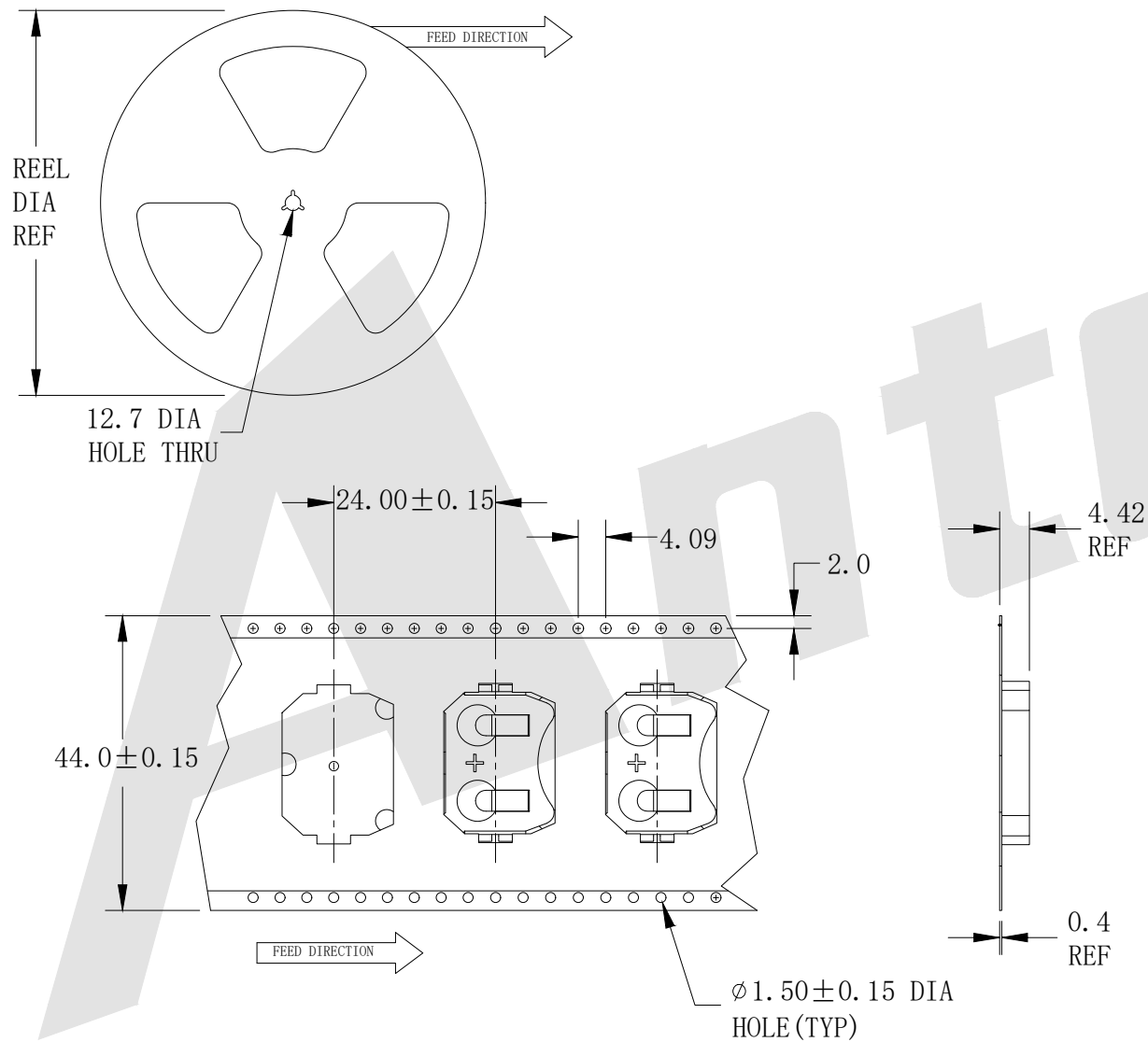
TAPE AND REEL SPECIFICATIONS:

1. TAPE:

MAT'L-ALL CONDUCTIVE POLYSTYRENE CARRIER
ANSI/EIA-481 STANDARD

2. REEL:

330.2 DIA 500PIECES OF
PART NO. BS-M-SI-R-3034B PER REEL.



Unless Otherwise specified tolerance
 X. ± 0.35 X.XX: ± 0.20
 X.X: ± 0.25 X.XXX: ± 0.15

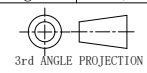
SCALE: As Shown	UNIT: mm
DRAW GONG FENG	DATE 01/04/2022
CHECK BobYang	DATE 16/03/2019

Antenk® ANTENK ELECTRONICS CO., LTD
[Http://www.antenk.com](http://www.antenk.com)
 E-mail:sales@antenk.com

TITLE: BATTERY CONTACTS FOR CR3034. BR2016. DL2020.
 CR2025. CR2032

DRAWING NO:

PRODUCT NO: BS-M-SI-R-CR3034B



REV	DESCRIPTION	DATE
1		
2		
3		
4		
5		