

HSF



ROHS

NOTE:

1.MATERIAL:

- 1.1 HOUSING: LCP, UL 94V-0
- COLOR: BLACK.
- 1.2 CONTACT: C2680, T=0.20mm.
- 1.3 SHIELD: C2680, T=0.40mm.
- 1.4 COVER: LCP,UL 94V-0

2.FINISH:

- 2.1 CONTACT: GOLD(1u") PLATING IN CONTACT AREA, 80u" MIN Tin PLATED IN SOLDER AREA, 50u" MIN. NICKEL UNDERPLATED OVERALL.
- 2.2 SHIELD: 50u" MIN. NICKEL UNDERPLATED OVERALL.

3.MECHANICAL CHARACTERISTICS

- 3.1 RATING CURRENT: 0.5A
- 3.2 RATING VOLTAGE: 40V
- 3.3 CONTACT RESISTANCE: 40 mΩ MAX
- 3.4 INSULATION RESISTANCE:
 - a, UNMATED: 100MΩ MIN AT 500 VDC
 - b, MATED: 10M OHMS MIN AT 150 VDC
- 3.5 DIELECTRIC WITHSTANDING VOLTAGE: 500V AC/1MINUTE
- 3.6 DURABILITY: 10000 CYCLES.
- 3.7 MATING FORCE: 4.5KGF MAX.
UNMATING FORCE: 1~4 KGF.
- 3.8 OPERATING TEMPERATURE: -20°C--+85°C
- 3.9 STORAGE TEMPERATURE: -20°C--+65°C

4. NOTES:

- 4.1 ALL COMPONENTS ARE RoHS COMPLIANT.
- 4.2 RESISTANCE TO SOLDERING HEAT: 265°C FOR 10 SECONDS.

Ordering Code:

$\frac{DP}{①}$ - $\frac{F}{②}$ - $\frac{X}{③}$ - $\frac{X}{④}$ - $\frac{04}{⑤}$ - $\frac{X}{⑥}$

① Series No:

② Male / female

F: female

③ Contact Plating:

1: Selective 1u"

2: Selective 3u"

3: Selective 5u"

4: Selective 15u"

5: Selective 30u"

6: All Gold

④ Shell Plating:

1:Nickl Platk

2:Tin-Lkad Plated

3:Gold Platkd

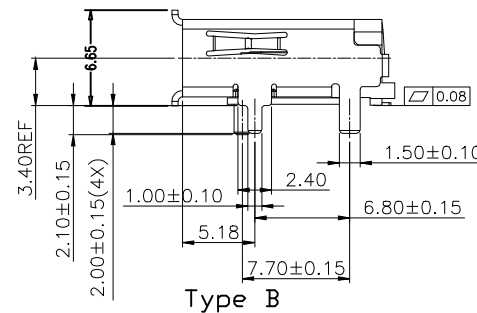
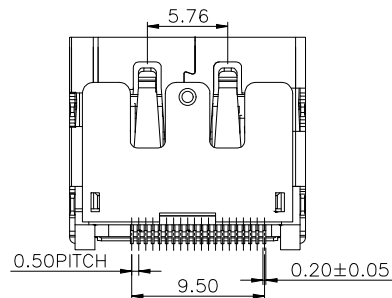
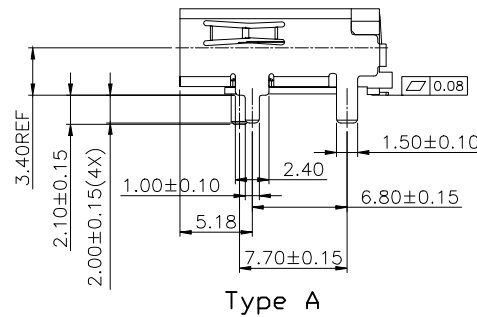
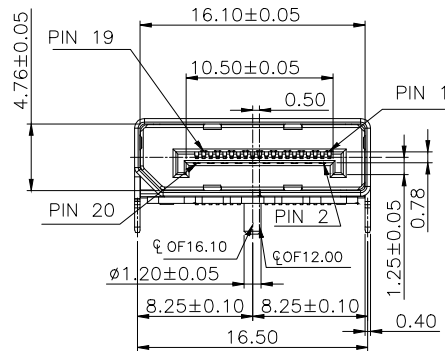
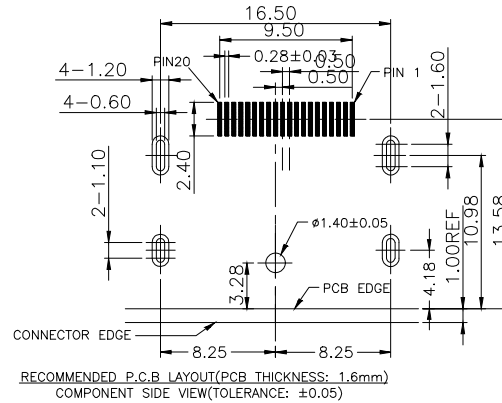
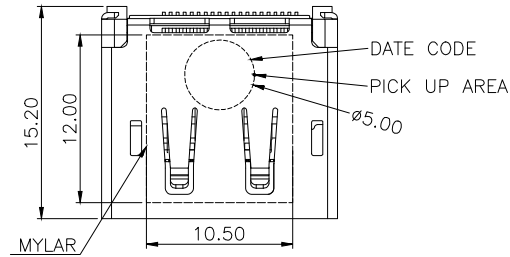
⑤ Series Number:

04

⑥ edge option

A: without edge curl

B: with edge curl

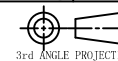


Unless Otherwise specified tolerance
X. ±0.35 X.XX: ±0.20
X.X: ±0.25 X.XXX: ±0.15

SCALE: As Shown UNIT: mm

DRAW: TMX DATE: 23/03/2022

CHECK: BobYang DATE: 23/03/2022



ANTENK ELECTRONICS CO., LTD
Http://www.antenk.com
E-mail:sales@antenk.com

TITLE: DISPLAY PORT 20P SMT PLAIN TOP WITH PLASTAC BASIC, LEG 2.0MM

DRAWING NO: DP-FXX04-X

PRODUCT NO: DP-FXX04-X

REV DESCRIPTION

DATE

1

2

3

4

5

6

7

8