

HSF



SPECIFICATIONS

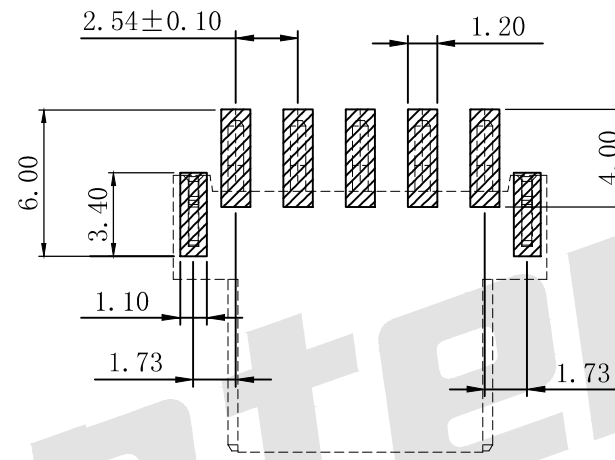
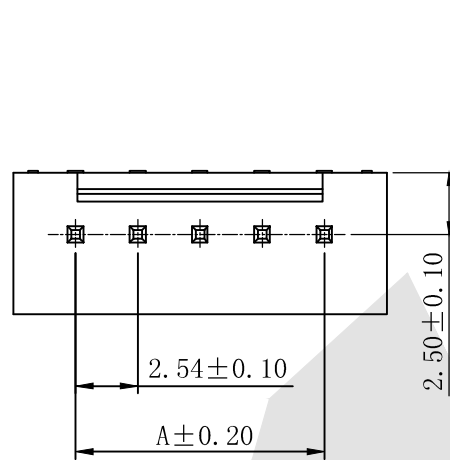
- Voltage rating: 250V AC,DC
- Current rating: 4A AC,DC
- Withstanding Voltage: 1000V AC/minute
- Insulation resistance:1000MΩ min
- Temperature range: -40°C~+105°C

WAFER

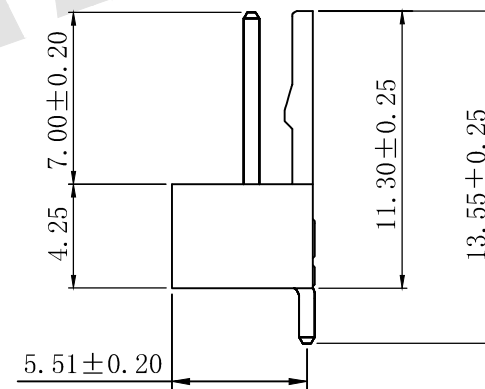
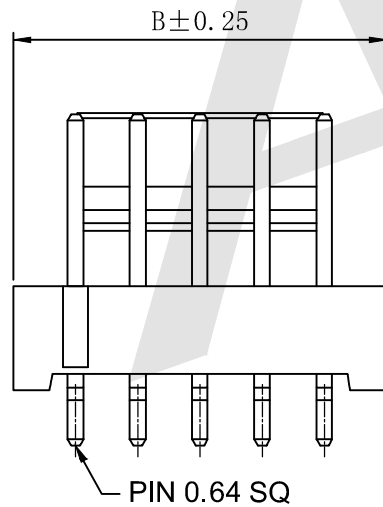
- Part NO: AW2543R-S-xP
- Material: Pin: Brass/Tin over Nickel  
Insulator: PA9T, UL94V-0
- Mates with: AH2543 series Housing
- Color: Natural

Ordering Information & Dimensions:

Poles	Part No.	Dimensions (mm)	
		A	B
02	AW2543R-S-02P	2.54	7.62
03	AW2543R-S-03P	5.08	10.16
04	AW2543R-S-04P	7.62	12.70
05	AW2543R-S-05P	10.16	15.24



P.C.B LAYOUT



Unless Otherwise specified tolerance  
 X. ±0.35 X.XX: ±0.20  
 X.X: ±0.25 X.XXX: ±0.15

**Antenk**® ANTENK ELECTRONICS CO., LTD  
[Http://www.antenk.com](http://www.antenk.com)  
 E-mail:sales@antenk.com

SCALE: As Shown	UNIT: mm
DRAW Jack Bao	DATE 05/19/2018
CHECK Bob Yang	DATE 05/19/2018

TITLE: 2.54mm pitch 90° Wafer-SMT Connector Series



DRAWING NO: AW2543R-S-xP  
 PRODUCT NO: AW2543R-S-xP

REV	DESCRIPTION	DATE