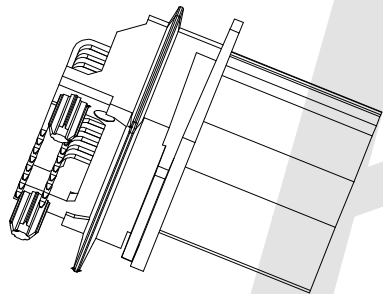
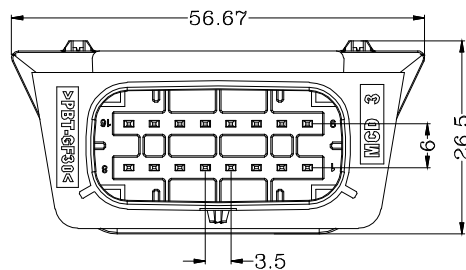
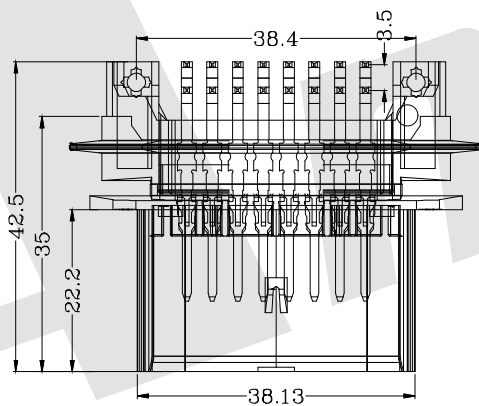
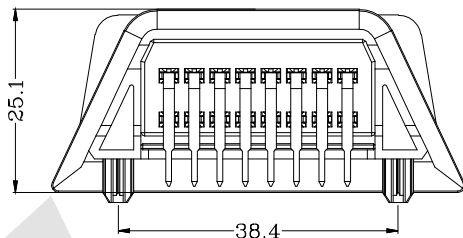
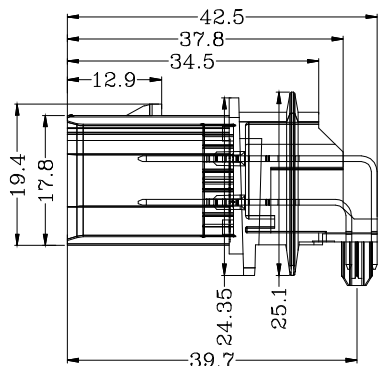


HSF



Notes:  
 1. Material:  
 Housing: PBT+30% GF  
 Terminal: Copper Alloy  
 2. Insertion Force  $\geq 30N$ , Withdrawal Force  $< 70N$ .

Ordering Code:

AUTO-3.5 - 16 SN - A B - X

3.5mm pitch  
 CONTACT NO.  
 16: 16PIN

CONTACT PLATING  
 G0: Gold Flash  
 G1: 3u" Gold  
 G2: 5u" Gold  
 G3: 10u" Gold  
 G4: 15u" Gold  
 G5: 30u" Gold  
 SN: Tin

COLOR  
 B: BLACK

PACK:  
 A: TRAY  
 B: BOX  
 C: TUBE

MATERIAL  
 A: PBT

Unless Otherwise specified tolerance  
 X. $\pm$ 0.35 X.XX: $\pm$ 0.20  
 X.X: $\pm$ 0.25 X.XXX: $\pm$ 0.15

SCALE: As Shown UNIT: mm  
 DRAW ZLA DATE 10/07/2022  
 CHECK BobYang DATE 10/07/2022

VER. 3rd ANGLE PROJECTION

**Antenk**® ANTENK ELECTRONICS CO.,LTD  
 Http://www.antenk.com  
 E-mail:sales@antenk.com

TITLE: P3.5X6 04P Automotive Right Angle Male Connector

DRAWING NO: AUTO-3.5-16SN-AB-X

PRODUCT NO: AUTO-3.5-16SN-AB-X

REV	DESCRIPTION	DATE