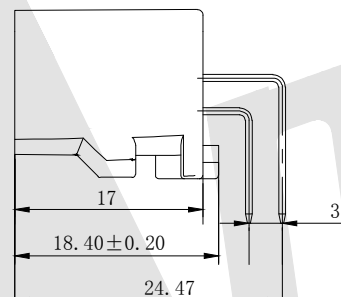
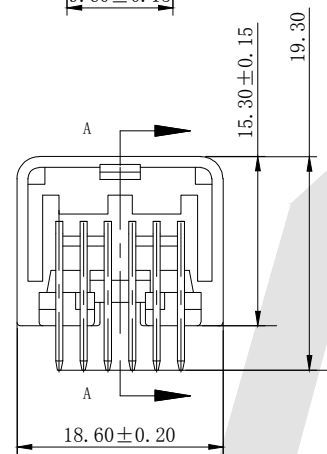
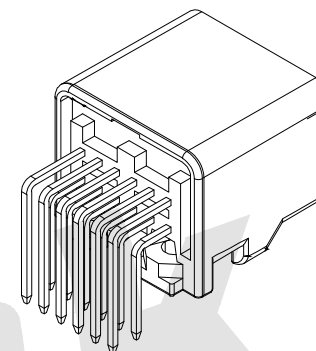
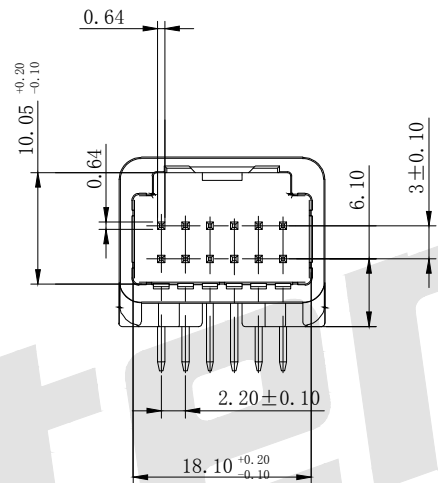
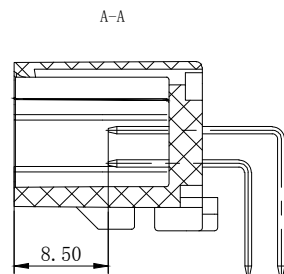
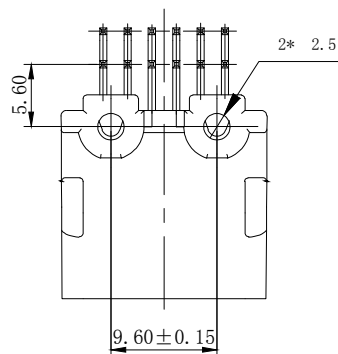


HSF



ROHS

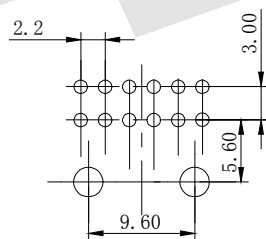


NOTE:  
1. MATERIAL:  
1.1 HOUSING: PBT+GF15 (WHITE)  
1.2 CONTACT: COPPER TIN PLATED

The unmarked tolerance shall be in accordance with GB / T 1804-92 grade M

Ordering Code:

AUTO - 12 SN - A A - X  
CONTACT NO. 12: 12PIN  
Contact Plating: G0: Gold Flash, G1: 3u" Gold, G2: 5u" Gold, G3: 10u" Gold, G4: 15u" Gold, G5: 30u" Gold, SN: Tin  
COLOR: A: WHITE  
MATERIAL: A: PBT  
PACK: A: TRAY, B: BOX, C: TUBE

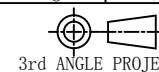


PCB LAYOUT

Size Range	0-5	5-20	20-45	45-70	70-100	100-250	≥250	Angle
Undeclared Tolerance	±0.15	±0.2	±0.3	±0.4	±0.5	±0.7	±0.15	±2°

Unless Otherwise specified tolerance  
X. ±0.35 X.XX: ±0.20  
X.X: ±0.25 X.XXX: ±0.15

SCALE: As Shown UNIT: mm  
DRAW: Wu Feng Rong DATE: 07/13/2021  
CHECK: BobYang DATE: 07/13/2021



**Antenk** ANTENK ELECTRONICS CO., LTD  
Http://www.antenk.com  
E-mail:sales@antenk.com

TITLE:  
P2.2\*3 12P Automotive Right Angle Male Connector

DRAWING NO: AUTO-12SN-AA-X

PRODUCT NO: AUTO-12SN-AA-X

REV	DESCRIPTION	DATE