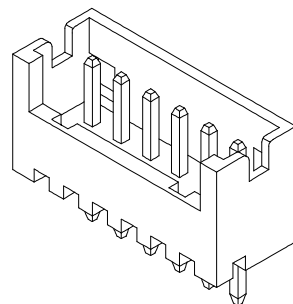


HSF

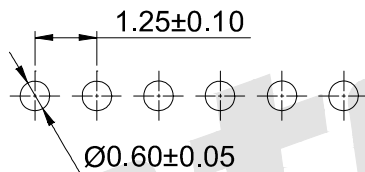
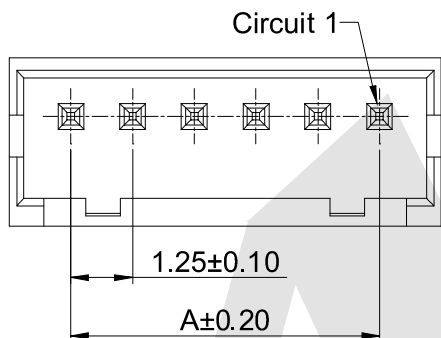


SPECIFICATIONS

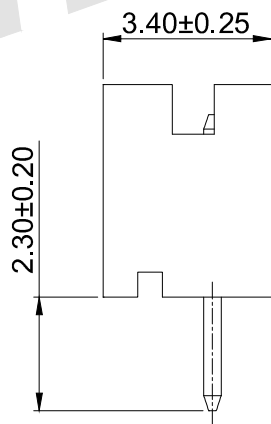
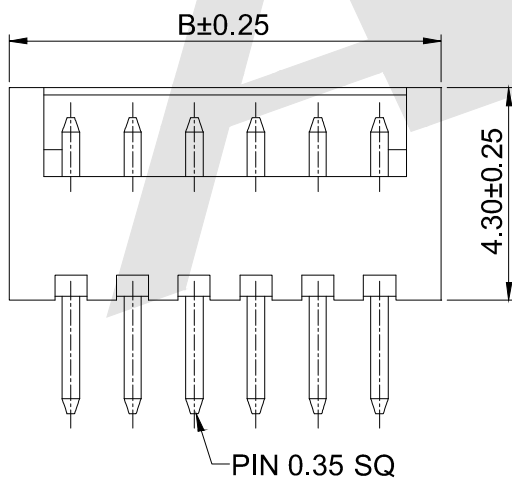
- Voltage rating: 150V AC, DC
- Current rating: 1A AC, DC
- Withstanding Voltage: 500V AC/minute
- Insulation resistance: 500MΩ min
- Temperature range: -40°C +105°C

WAFER

- Part NO: AW1252V-xP
- Material: Pin: Brass/Tin over Nickel
Insulator: Nylon 66, UL94V-0
- Mates with: AH1252 series Single Row Housing
- Color: Gray



P.C.B LAYOUT



Ordering Information & Dimensions:

Poles	Part No.	Dimensions (mm)	
		A	B
02	AW1252V-02P	1.25	3.75
03	AW1252V-03P	2.50	5.00
04	AW1252V-04P	3.75	6.25
05	AW1252V-05P	5.00	7.50
06	AW1252V-06P	6.25	8.75
07	AW1252V-07P	7.50	10.00
08	AW1252V-08P	8.75	11.25
09	AW1252V-09P	10.00	12.50
10	AW1252V-10P	11.25	13.75
11	AW1252V-11P	12.50	15.00
12	AW1252V-12P	13.75	16.25
13	AW1252V-13P	15.00	17.50
14	AW1252V-14P	16.25	18.75
15	AW1252V-15P	17.50	20.00

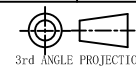
Unit:mm

Unless Otherwise specified tolerance
 X. ±0.35 X.XX: ±0.20
 X.X: ±0.25 X.XXX: ±0.15

Antenk® ANTENK ELECTRONICS CO., LTD
[Http://www.antenk.com](http://www.antenk.com)
 E-mail:sales@antenk.com

SCALE: As Shown	UNIT: mm
DRAW Jack Bao	DATE 11/04/2017
CHECK Bob Yang	DATE 11/04/2017

TITLE: 1.25mm pitch 180° Single Row Wafer Connector Series



DRAWING NO: AW1252V-xP

PRODUCT NO: AW1252V-xP

REV	DESCRIPTION	DATE
1		
2		
3		
4		
5		