

HSF



ROHS

NOTE说明:

1. BASE胶芯:PBT(UL94V-0) BLACK 黑色

2. CONTACTS端子:0.4 TH'K SPRING STEEL 弹簧钢

Order code订单编号:

BT — S — SN — A — 502
① ② ③ ④ ⑤

① BT: Coin Cell Holders

② Apperance for the product产品类型
S:180 TYPE

③ Contact Plating 端子电镀
SN: Tin 锡

G0: Gold flash 普金

G1: 3U" Gold 金

G2: 5U" Gold 金

G3: 10U" Gold 金

G4: 15U" Gold 金

G5: 30U" Gold 金

SI: Tin Nickel Plate 锡镍合金

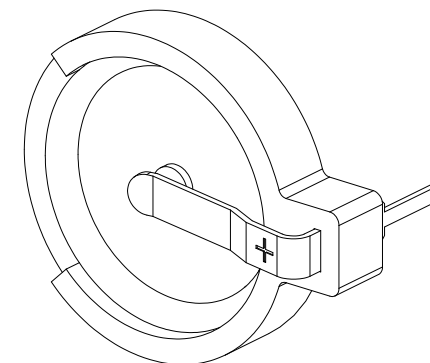
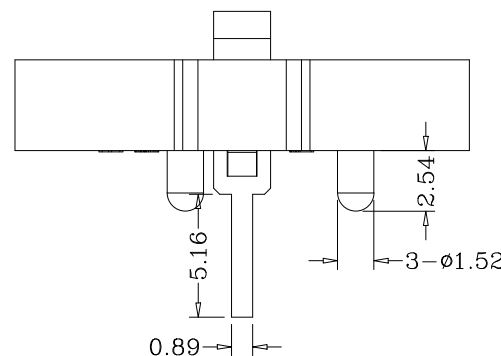
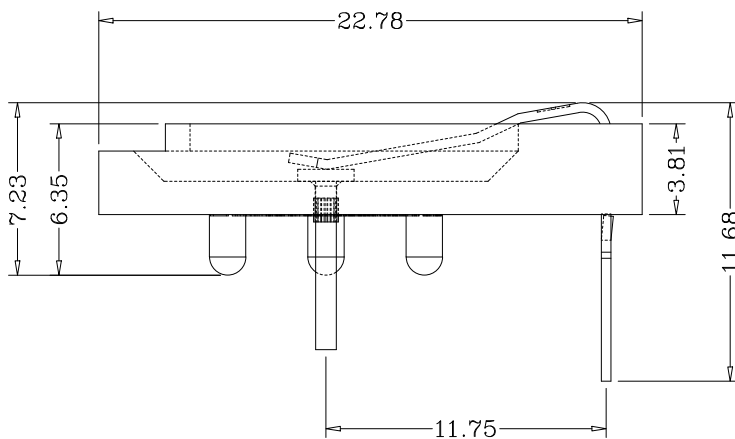
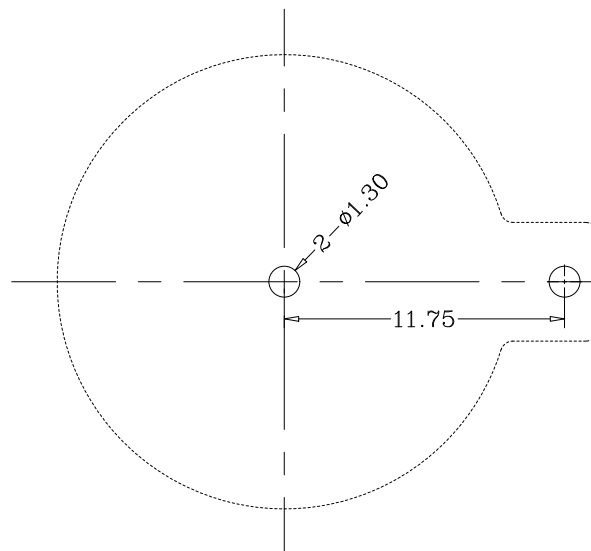
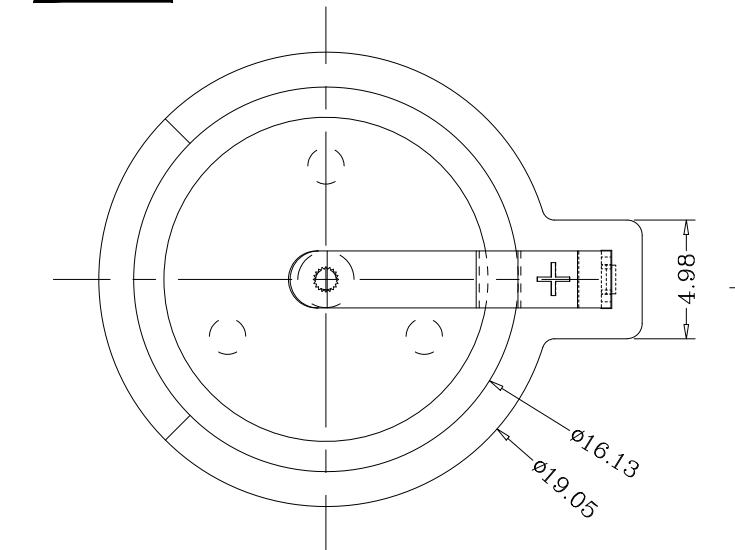
④ Packing method 包装

A: Tray 吸塑盒装

B: Bag 袋装

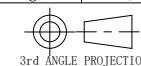
⑤ Product number 编号
502

PCB LAYOUT



Unless Otherwise specified tolerance
X. ±0.35 X.XX: ±0.20
X.X.X: ±0.25 X.XXX: ±0.15

SCALE: As Shown UNIT: mm
DRAW GONGFENG DATE 22/04/2022
CHECK BobYang DATE 22/04/2022



Antenk® ANTENK ELECTRONICS CO.,LTD
Http://www.antenk.com
E-mail:sales@antenk.com

TITLE: 16mm PC BATTERY HOLDER FOR CR1612 CR1616
CR1620 CR1625

DRAWING NO: BT-S-SN-A-502

PRODUCT NO: BT-S-SN-A-502

REV	DESCRIPTION	DATE
1		
2		
3		
4		
5		