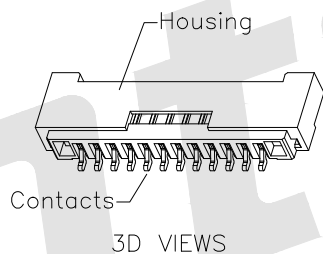
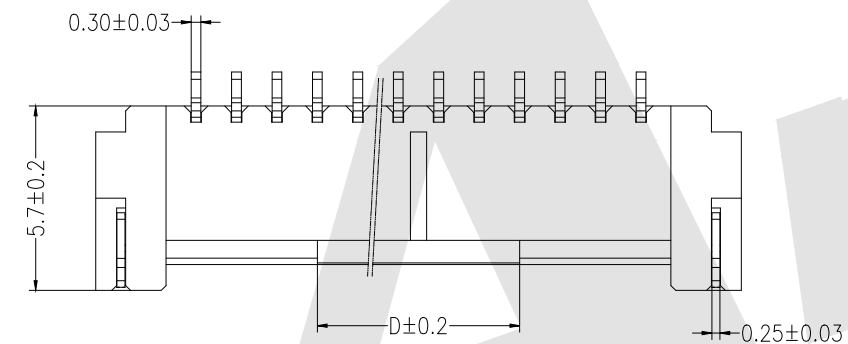
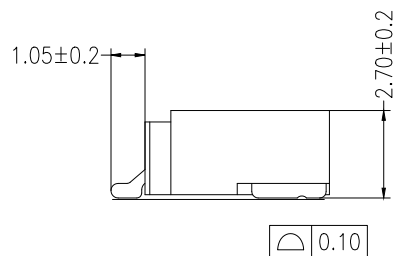
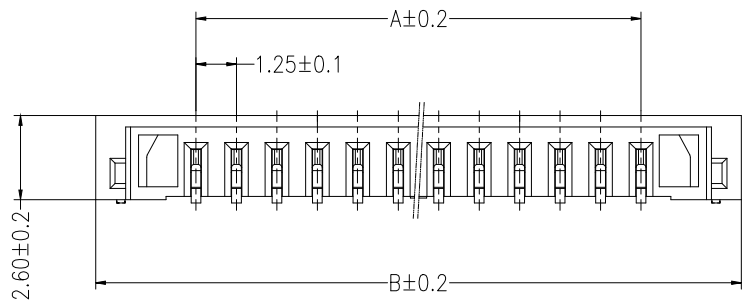
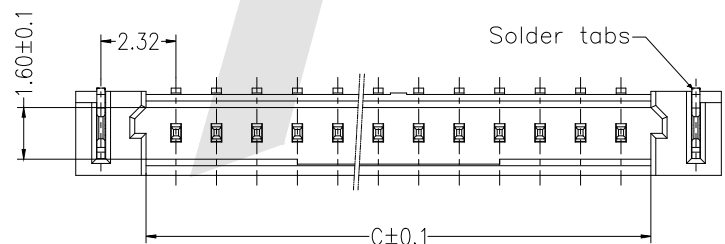


HSF



3D VIEWS



Specifications:

- Contact resistance: $\leq 20m\Omega$
- Insulation resistance: $> 500M\Omega$
- Rated voltage: 150V AC DC
- Rated current: 1.0A AC DC
- Withstand voltage: 500V AC/minute
- Temperature range: $-25^{\circ}C \sim +85^{\circ}C$
- Housing: LCP UL94V-0, Natural
- Contacts: Phosphor bronze/Matte sn
- Solder tabs: Phosphor bronze/Matte sn

| Part No. | Poles | DIM A | DIM B | DIM C | DIM D |
|--------------|-------|-------|-------|-------|-------|
| AW1258RM-2P | 2pin | 1.25 | 7.45 | 3.05 | 2.50 |
| AW1258RM-3P | 3pin | 2.50 | 8.70 | 4.30 | 3.00 |
| AW1258RM-4P | 4pin | 3.75 | 9.95 | 5.55 | 3.75 |
| AW1258RM-5P | 5pin | 5.00 | 11.20 | 6.80 | 5.00 |
| AW1258RM-6P | 6pin | 6.25 | 12.45 | 8.05 | |
| AW1258RM-7P | 7pin | 7.5 | 13.7 | 9.30 | |
| AW1258RM-8P | 8pin | 8.75 | 14.95 | 10.55 | |
| AW1258RM-9P | 9pin | 10.0 | 16.2 | 11.80 | |
| AW1258RM-10P | 10pin | 11.25 | 17.45 | 13.05 | |
| AW1258RM-11P | 11pin | 12.50 | 18.7 | 14.30 | |
| AW1258RM-12P | 12pin | 13.75 | 19.95 | 15.55 | |
| AW1258RM-13P | 13pin | 15 | 21.2 | 16.8 | |
| AW1258RM-14P | 14pin | 16.25 | 22.45 | 18.05 | |
| AW1258RM-15P | 15pin | 17.5 | 23.70 | 19.3 | |
| AW1258RM-16P | 16pin | 18.75 | 24.95 | 20.55 | |
| AW1258RM-17P | 17pin | 20.00 | 26.20 | 21.80 | |
| AW1258RM-18P | 18pin | 21.25 | 27.45 | 23.5 | 6.25 |
| AW1258RM-19P | 19pin | 22.5 | 28.7 | 24.30 | |
| AW1258RM-20P | 20pin | 23.75 | 29.95 | 25.55 | |
| AW1258RM-21P | 21pin | 25.00 | 31.20 | 26.80 | |
| AW1258RM-22P | 22pin | 26.25 | 32.45 | 28.05 | |
| AW1258RM-23P | 23pin | 27.50 | 33.70 | 29.30 | |
| AW1258RM-24P | 24pin | 28.75 | 34.95 | 30.55 | |
| AW1258RM-25P | 25pin | 30.00 | 36.20 | 31.80 | |
| AW1258RM-26P | 26pin | 31.25 | 37.45 | 33.05 | |
| AW1258RM-27P | 27pin | 32.50 | 38.70 | 34.30 | |
| AW1258RM-28P | 28pin | 33.75 | 39.95 | 35.55 | |
| AW1258RM-29P | 29pin | 35.00 | 41.2 | 36.80 | |
| AW1258RM-30P | 30pin | 36.26 | 42.45 | 38.05 | |

Unless Otherwise specified tolerance
 X.±0.35 X.XX:±0.20
 X.X:±0.25 X.XXX:±0.15

SCALE: As Shown UNIT: mm
 DRAW ZLA DATE 08/17/2022
 CHECK BobYang DATE 08/17/2022



Antenk® ANTENK ELECTRONICS CO.,LTD
 Http://www.antenk.com
 E-mail:sales@antenk.com

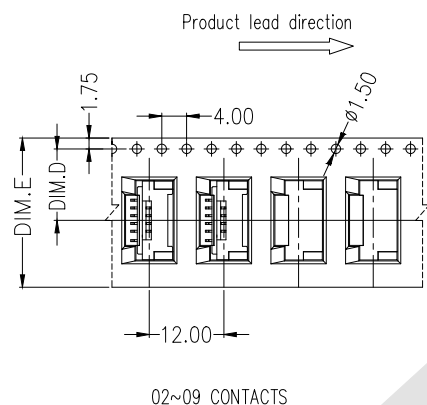
TITLE: 1.25mm Pitch 90°Wafer SMT Type

DRAWING NO: AW1258RM-xP

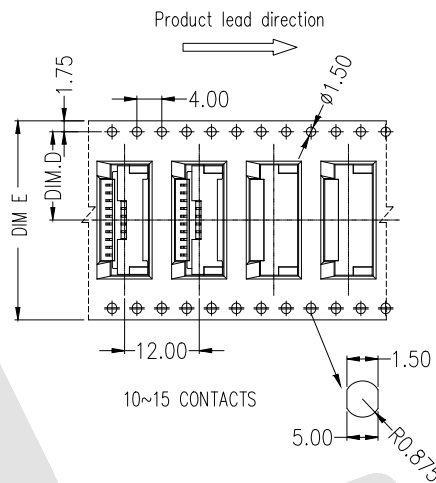
PRODUCT NO: AW1258RM-xP

| REV | DESCRIPTION | DATE |
|-----|-------------|------|
| | | |
| | | |
| | | |

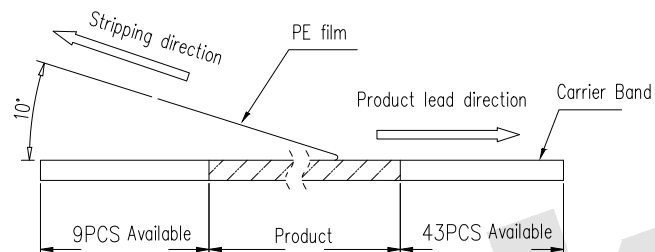
HSF



02~09 CONTACTS

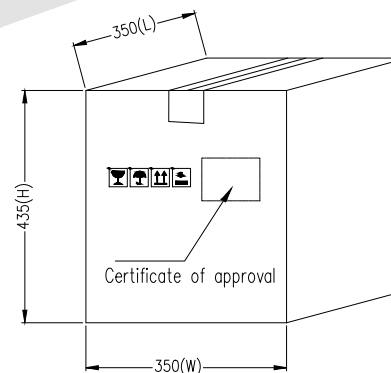
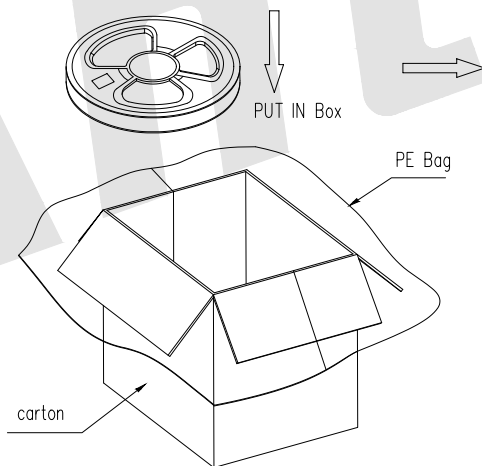
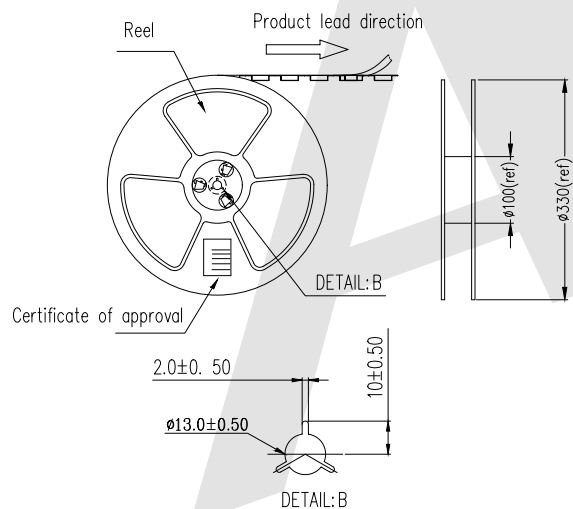


10~15 CONTACTS



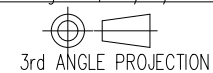
Schematic diagram of PET film peeling

| Circuits | DIM.D | DIM.E | Q'ty/Reel | Reel/Caton |
|----------|-------|-------|-----------|------------|
| 02~03PIN | 7.5 | 16 | 1500PCS | 20/Reel |
| 04~09PIN | 11.5 | 24 | 1500PCS | 15/Reel |
| 10~13PIN | 28.5 | 32 | 1500PCS | 11/Reel |
| 14~15PIN | 40.4 | 44 | 1500PCS | 8/Reel |



Unless Otherwise specified tolerance
 X.±0.35 X.XX:±0.20
 X.X:±0.25 X.XXX:±0.15

SCALE: As Shown UNIT: mm
 DRAW ZLA DATE 08/17/2022
 CHECK BobYang DATE 08/17/2022



Antenk® ANTENK ELECTRONICS CO.,LTD
 Http://www.antenk.com
 E-mail:sales@antenk.com

TITLE: 1.25mm Pitch 90° Wafer SMT Type

DRAWING NO: AW1258RM-xP

PRODUCT NO: AW1258RM-xP

| REV | DESCRIPTION | DATE |
|-----|-------------|------|
| | | |
| | | |
| | | |