

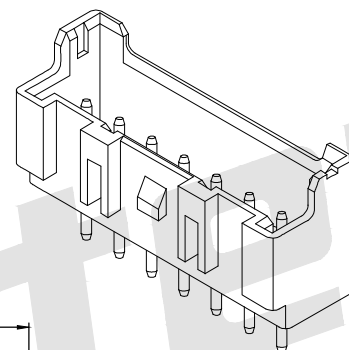
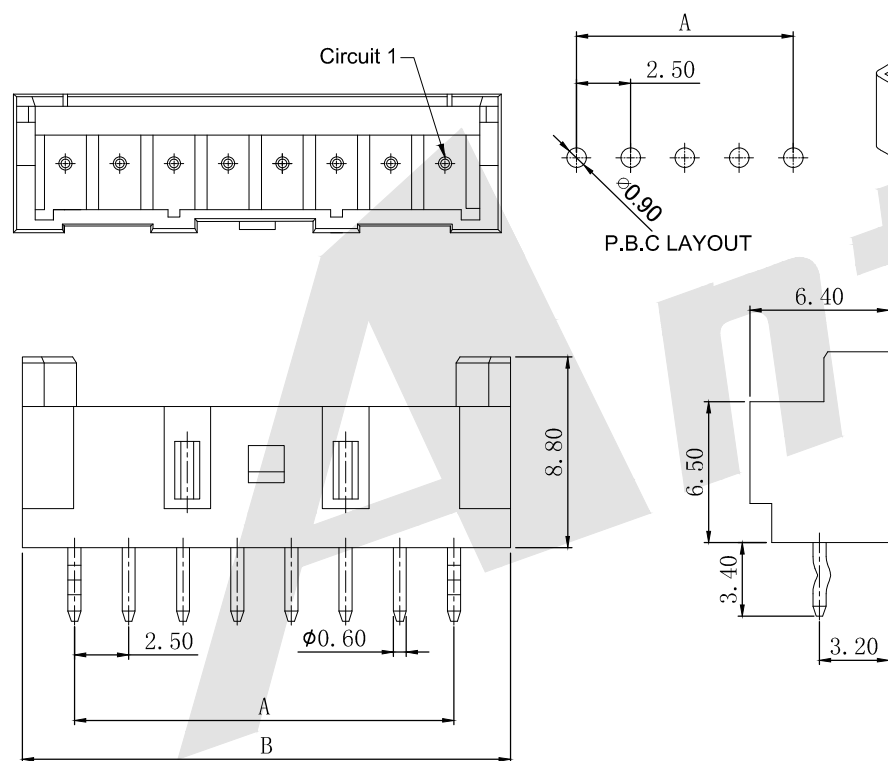


SPECIFICATIONS

- Voltage rating: 250V AC,DC
- Current rating: 3A AC,DC
- Withstanding Voltage: 1000V AC/minute
- Insulation resistance: 1000MΩ min
- Temperature range: -40°C~+105°C

WAFER

- Part NO: AW2508V-xP
- Material: Pin: Brass/Tin over Nickel
Insulator: Nylon 66, UL94V-0
- Mates with: AH2508 series Housing
- Color: Ivory



Ordering information:

AW2508V-XP - $\frac{**}{2}$ - $\frac{x}{3}$

1.Part No.

2.Floor:

- (blank)-Ivory
- BK-Black
- RD-Red
- BL-Blue
- YL-Yellow
- GN-Green
- OR-Orange
- WH-White
- BR-Brown
- GY-Gray
- PK-Pink
- LY-Lemon yellow
- P-Purple
- LE-Light Blue
- FY-Vivid yellow



3. Special No.

- A. With Kink
- B. Without Kink

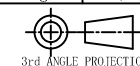
Ordering Information & Dimensions

PART NO.	Dimensions	
	A	B
AW2508V-2P	2.50	7.50
AW2508V-3P	5.00	10.00
AW2508V-4P	7.50	12.50
AW2508V-5P	10.00	15.00
AW2508V-6P	12.50	17.50
AW2508V-7P	15.00	20.00
AW2508V-8P	17.50	22.50
AW2508V-9P	20.00	25.00
AW2508V-10P	22.50	27.50
AW2508V-11P	25.00	30.00
AW2508V-12P	27.50	32.50
AW2508V-13P	30.00	35.00
AW2508V-14P	32.50	37.50
AW2508V-15P	35.00	40.00

Unit: mm

Unless Otherwise specified tolerance
 X. ± 0.35 X.XX: ± 0.20
 X.X: ± 0.25 X.XXX: ± 0.15

SCALE: As Shown UNIT: mm
 DRAW: Jack Bao DATE: 5/9/2018
 CHECK: Bob Yang DATE: 5/9/2018



ANTENK ELECTRONICS CO., LTD
[Http://www.antenk.com](http://www.antenk.com)
 E-mail: sales@antenk.com

TITLE: 2.50mm pitch 180° Wafer Connector Series

DRAWING NO: AW2508V-xP-XX-X

PRODUCT NO: AW2508V-xP-XX-X

△ Add Special No. Option

22/04/2022

DATE

REV

DESCRIPTION