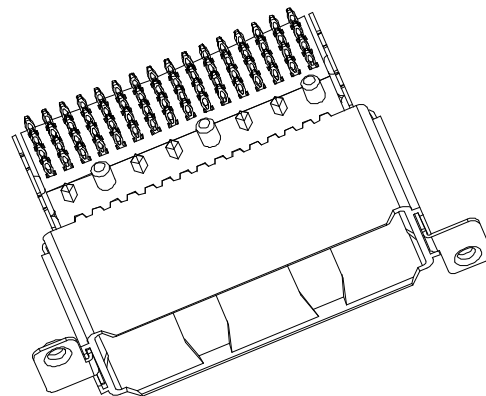
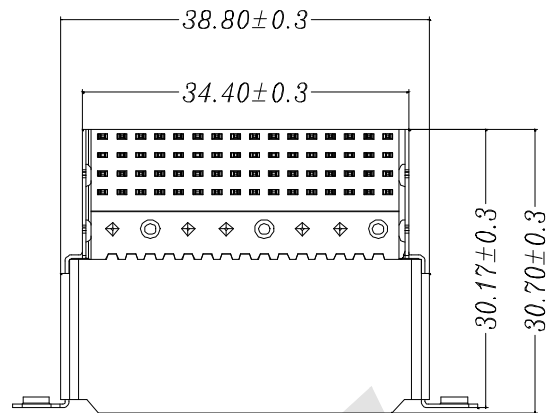
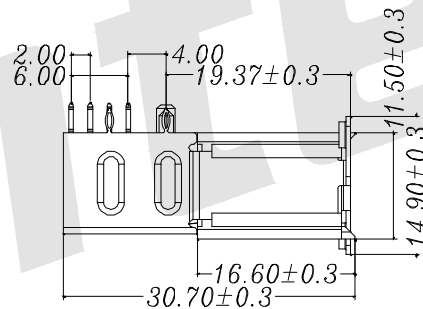
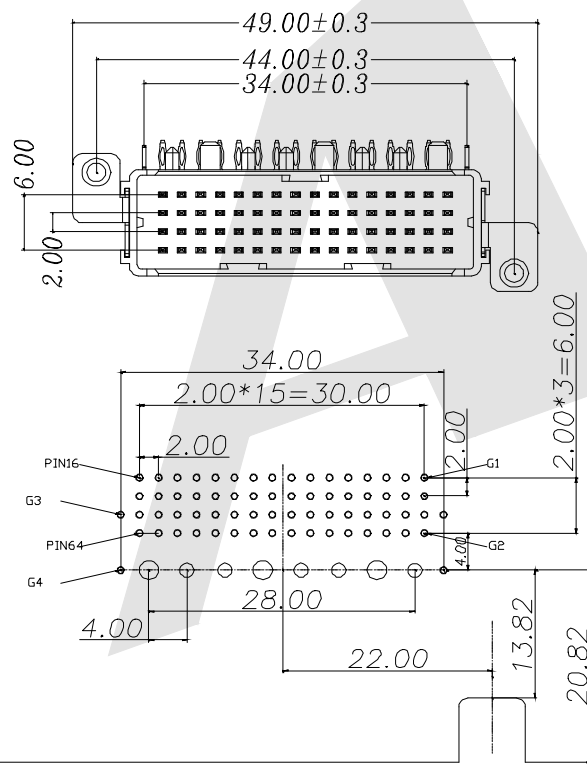


HSF

ROHS



Material:  
 Insulator: LCP471 U194V-0  
 Contacts: Phosphor Bronze  
 Shell: Steel  
 Electrical Characteristics:  
 Current Rating: 2AMP  
 Insulation Resistance: 500MΩ min.at 500VDC  
 Contact Resistance: 30mΩ max at DC 20mA  
 Withstand Voltage: AC 1500V For 1 Minute  
 Insertion: 0.3KG/PIN MAX  
 Withdrawa: 0.02KG/PIN MIN  
 Operating Temperature: -40° C to +85° C



Ordering Code:

VDSL - 4 A XX P CB G5 X  
 ① ② ③ ④ ⑤ ⑥ ⑦ ⑧

- ① Series :2.00MM VDSL Board Male
- ② 4 Row
- ③ A: IDC Type
- ④ No. of Contacts  
64:4\*6=64P 96:4\*24=96P
- ⑤ P: Press Fit Type  
D: DIP Type
- ⑥ DIP TIN CONTACT AU/PD/NI
- ⑦ Contact Plating:  
G0: Gold flash S0: Selective  
G1: 3u" Gold S1: Selective 3u"  
G2: 5u" Gold S2: Selective 5u"  
G3: 10u" Gold S3: Selective 10u"  
G4: 15u" Gold S4: Selective 15u"  
G5: 30u" Gold S5: Selective 30u"
- ⑧ SN: Tin
- ⑨ Packing:  
A: Tray  
B: Bag

Unless Otherwise specified tolerance  
 X. ±0.35 X.XX: ±0.20  
 X.X: ±0.25 X.XXX: ±0.15

**Antenk**® ANTENK ELECTRONICS CO., LTD  
 Http://www.antenk.com  
 E-mail:sales@antenk.com

|                      |                    |
|----------------------|--------------------|
| SCALE:<br>As Shown   | UNIT:<br>mm        |
| DRAW<br>Wu Feng Rong | DATE<br>08/17/2021 |
| CHECK<br>BobYang     | DATE<br>08/17/2021 |

TITLE:  
 2.00MM VDSL 64P Board Male Cable Connector

DRAWING NO: VDSL-4AXXPBG5X  
 PRODUCT NO: VDSL-4AXXPBG5X



| REV | DESCRIPTION | DATE |
|-----|-------------|------|
|     |             |      |
|     |             |      |
|     |             |      |