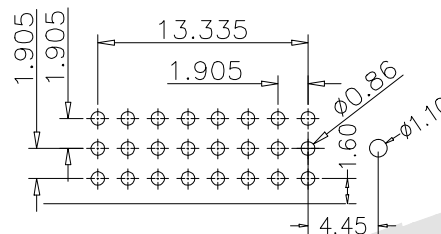
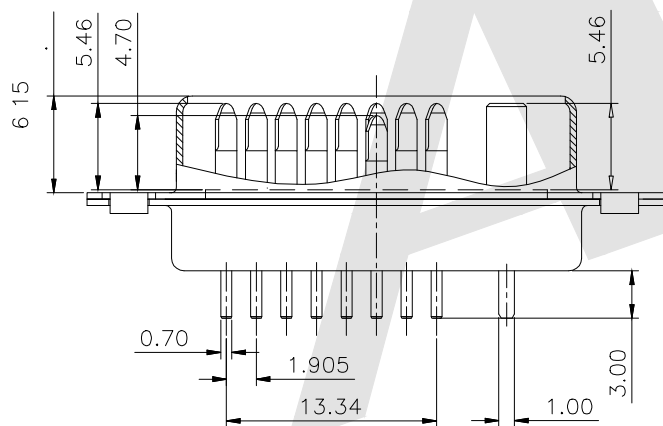
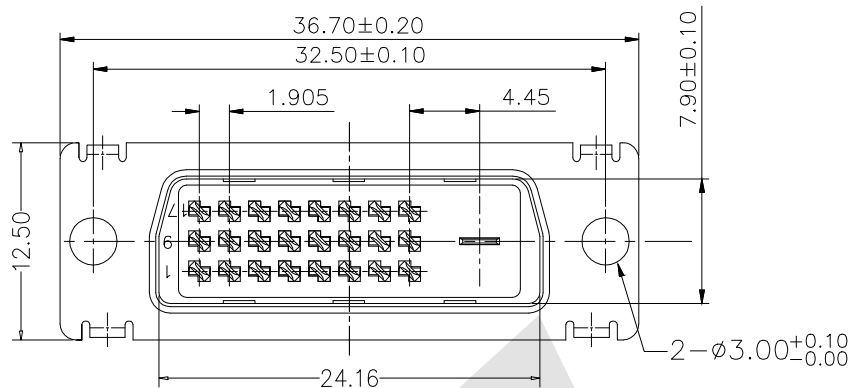


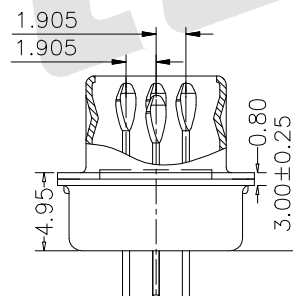
HSF



RoHS



PCB LAYOUT



Specifications (特性):

- Current Rating (额定电流): 1.5A
- Voltage Rating (额定电压): 40V
- Contact Resistance (接触阻抗): 30 milliohms MAX
- Dielectric Withstanding Voltage (耐电压): 500V AC AT Sea Level
- Insulation Resistance (绝缘阻抗): 1000 Megohms MIN
- Operating Temperature (温度范围): -20° C to +85° C
- Housing (塑胶): PBT+G.F UL 94V-0
- Contact (端子): Brass or Bronze
- Shell (壳): Sped Nickel Plating All Area
- Contact Plating: Gold Plating Over Nickel

Ordering Code:

DVIMS 02 - X - 25 - X  
 ① ② ③ ④ ⑤

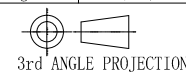
- ① DVI Male Angle
- ② Serial Number
- ③ Color Code:  
A: White  
B: Black
- ④ No of contact:  
25:24+1 Positions
- ⑤ Contact Plating:  
S0: Selective 1u"  
S1: Selective 3u"  
S2: Selective 5u"  
S3: Selective 10u"  
S4: Selective 15u"  
S5: Selective 30u"

Unless Otherwise specified tolerance  
 X. XX: ±0.20  
 X. X: ±0.25 X. XXX: ±0.15  
 X. XX: ±0.35

**Antenk**® ANTENK ELECTRONICS CO., LTD  
 Http://www.antenk.com  
 E-mail:sales@antenk.com

SCALE: As Shown UNIT: mm  
 DRAW Gong Feng DATE 09/11/2017  
 CHECK BobYang DATE 09/11/2017

TITLE: DVI 24+1 Male Straight Type Straddle for PCB



DRAWING NO: DVIMS02-X25X  
 PRODUCT NO: DVIMS02-X25X

REV	DESCRIPTION	DATE
	△ Add PCB Layout	06/11/2021