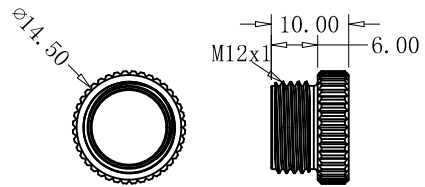


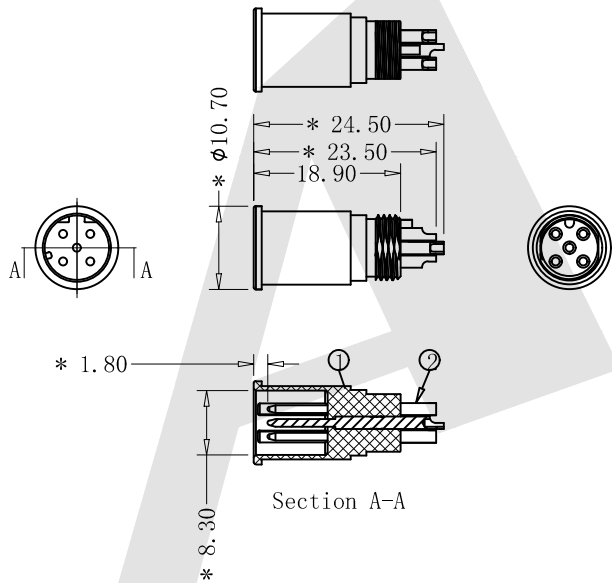
HSF



ROHS



Nut specifications



Section A-A

Notes:

1. Electrical characteristics
 - Temperature range: -40°C to $+100^{\circ}\text{C}$
 - 3~5P rating: 60V AC/DC 5A
 - Dielectric withstanding voltage: 500V AC for one minute

Order Code:

M12 - D - XP - M - 133-0
 ① ② ③ ④ ⑤

- ① Type of M series: M12
- ② Code option: D Code
- ③ NO. of PINS: 03~05
- ④ Gender option: Male
- ⑤ Series number: 133-0

| | |
|-----------------------|-------------------------------|
| M12-D-03P -M-133-0 | |
| M12-D-04P -M-133-0 | |
| M12-D-05P -M-133-0 | |
| P/N | PIN ASSIGNMENTS FRONT VIEW |

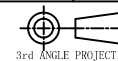
| 3 | Shell | Copper alloy | Nickel plating 60u | 1 |
|-----|--------------|----------------|--------------------|----------|
| 2 | Male Pin | Copper alloy | Gold plating 3u | 3~5 |
| 1 | Plastic core | Nylon UL94 V-0 | Black | 1 |
| NO. | ITEM | MATERIALS | SURFACE | QUANTITY |

Unless Otherwise specified tolerance
 X. ± 0.35 X.XX: ± 0.20
 X.X: ± 0.25 X.XXX: ± 0.15

SCALE: As Shown UNIT: mm

DRAW ZLA DATE 07/04/2022

CHECK BobYang DATE 07/04/2022



Antenk ANTENK ELECTRONICS CO., LTD
 Http://www.antenk.com
 E-mail: sales@antenk.com

TITLE: M12 3~5P Male D Code Wire Side

DRAWING NO: M12-D-XP-M-133-0

PRODUCT NO: M12-D-XP-M-133-0

| REV | DESCRIPTION | DATE |
|-----|-------------|------|
| 1 | | |
| 2 | | |
| 3 | | |
| 4 | | |
| 5 | | |