

NOTES:  
1. BASE: LCP

比例 3: 1

Ordering Code:

① FT - ② B - ③ B - ④ B - ⑤ F3523-1

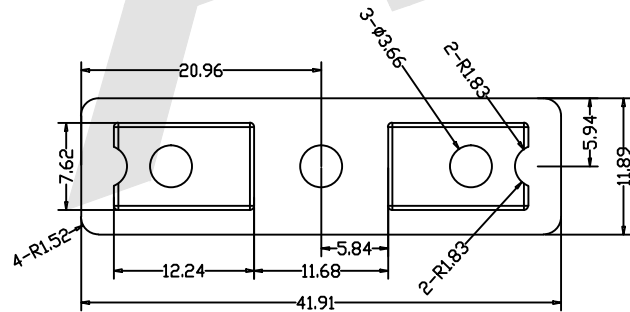
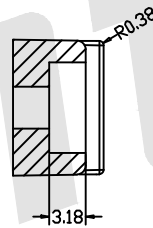
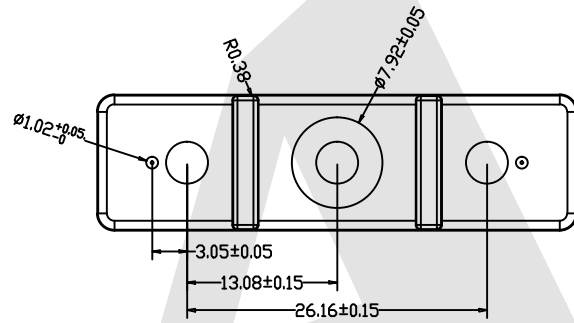
① FT: Fuse Holder

④ Packing Method  
B: Bag Packing

② Housing Material:  
B: LCP

⑤ Serial Number:  
F3523-1

③ Color:  
B: Black



Unless Otherwise specified tolerance  
X. ±0.35 X.XX: ±0.20  
X.X: ±0.25 X.XXX: ±0.15



ANTENK ELECTRONICS CO., LTD  
Http://www.antenk.com  
E-mail:sales@antenk.com

SCALE: As Shown UNIT: mm

DRAW TMX DATE 11/23/2021

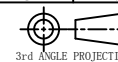
CHECK BobYang DATE 11/23/2021

TITLE:

Fuse Holder For- F3523-1

DRAWING NO: FT - B - B - B - F3523-1

PRODUCT NO: FT - B - B - B - F3523-1



3rd ANGLE PROJECTION

REV	DESCRIPTION	DATE
1		
2		
3		