



SPECIFICATIONS

- Voltage rating: 250V AC,DC
- Current rating: 3A AC,DC
- Withstanding Voltage: 1000V AC/minute
- Insulation resistance:1000MΩ min
- Temperature range: -40℃~+105℃

Ordering Information:

AW2549RB-2xNP - **-**

1 2 3

1.Part No.

2.Color:

(blank):Blue

BK:Black

3.Finish

Blank)-Tin Over Nickel

G-Gold Over Nickel

WAFER

• Part NO: AW2549RB-2xNP

• Material: Pin: Brass/Tin over Nickel

Insulator: Nylon 66, UL94V-0

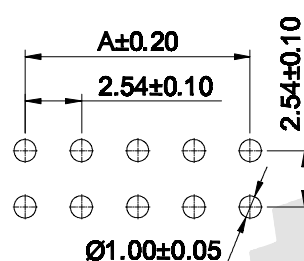
• Mates with: AH2549B-2 AH2550A-2 series Housing

• Color: Blue

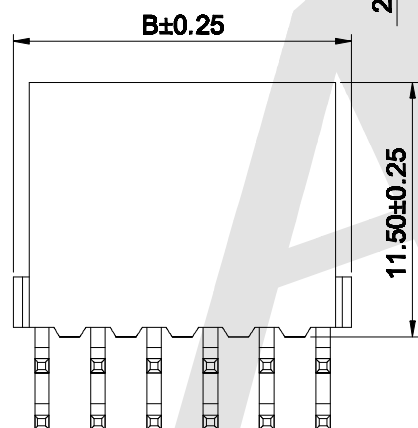
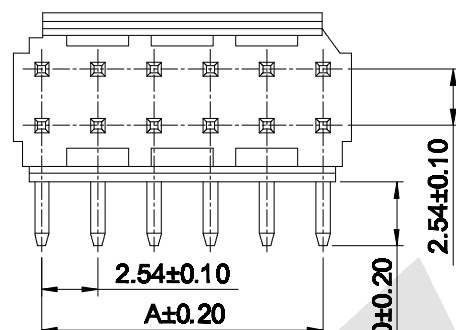
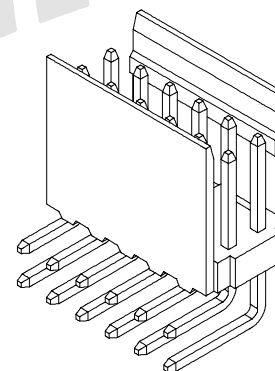
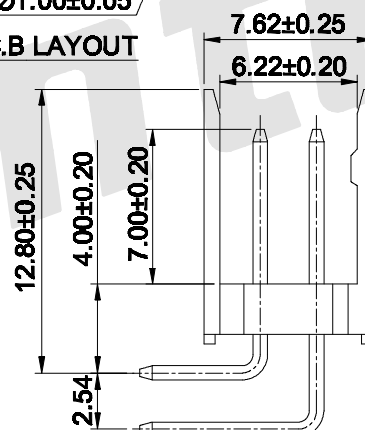
Ordering Information & Dimensions:

Poles	Part No.	Dimensions(mm)	
		A	B
04	AW2549RB-2x02P	2.54	5.08
06	AW2549RB-2x03P	5.08	7.62
08	AW2549RB-2x04P	7.62	10.16
10	AW2549RB-2x05P	10.16	12.70
12	AW2549RB-2x06P	12.70	15.24
14	AW2549RB-2x07P	15.24	17.78
16	AW2549RB-2x08P	17.78	20.32
20	AW2549RB-2x10P	22.86	25.40
24	AW2549RB-2x12P	27.94	30.48
30	AW2549RB-2x15P	35.56	38.10
34	AW2549RB-2x17P	40.64	43.18
36	AW2549RB-2x18P	43.18	45.72

Unit:mm



P.C.B LAYOUT



PIN 0.64 SQ

Unless Otherwise specified tolerance
 I ±0.35 I, XX: ±0.20
 I, X: ±0.25 I, XXX: ±0.15

SCALE: As Shown UNIT: mm
 DRAW Jack Bao DATE 07/18/2018
 CHECK Bob Yang DATE 07/18/2018



Antenk ANTENK ELECTRONICS CO.,LTD
[Http://www.antenk.com](http://www.antenk.com)
 E-mail:sales@antenk.com

TITLE: 2.54mm pitch Dual Row 90° Wafer Connector Series

DRAWING NO: AW2549RB-2xNP

PRODUCT NO: AW2549RB-2xNP

REV DESCRIPTION

DATE

1 2 3 4 5 6 7 8