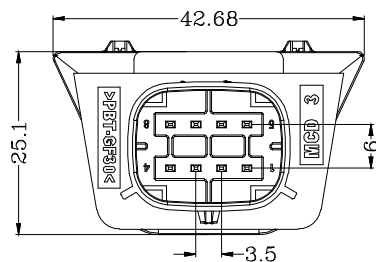
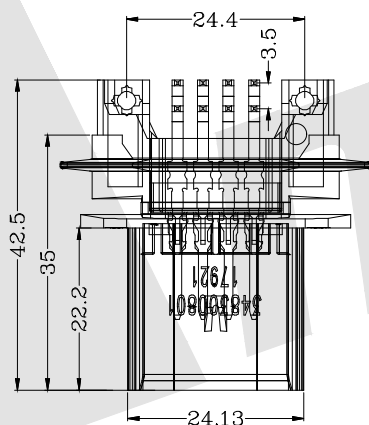
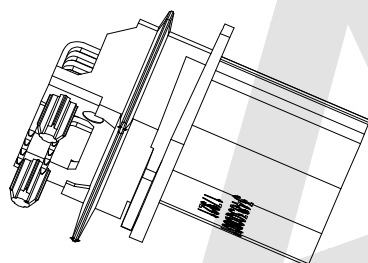
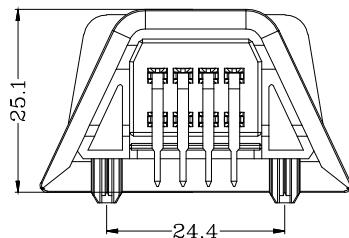
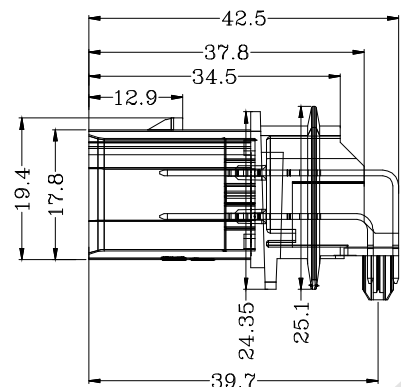


HSF



Notes:
 1.Material:
 Housing: PBT+30% GF
 Terminal: Copper Alloy
 2.Insertion Force>30N, Withdrawal Force<70N.

Ordering Code:

AUTO-3.5-08 SN-A-B-X

3.5mm pitch

CONTACT NO.
08: 08PIN

Contact Plating
 G0: Gold Flash
 G1: 3u" Gold
 G2: 5u" Gold
 G3: 10u" Gold
 G4: 15u" Gold
 G5: 30u" Gold
 SN: Tin

COLOR
B: BLACK

PACK:
A: TRAY
B: BOX
C: TUBE

MATERIAL
A: PBT

Unless Otherwise specified tolerance
 X.±0.35 X.XX:±0.20
 X.X:±0.25 X.XXX:±0.15

SCALE: As Shown UNIT: mm
 DRAW ZLA DATE 10/07/2022
 CHECK BobYang DATE 10/07/2022

VER. 3rd ANGLE PROJECTION

Antenk® ANTENK ELECTRONICS CO.,LTD
 Http://www.antenk.com
 E-mail:sales@antenk.com

TITLE: P3.5X6 08P Automotive Right Angle Male Connector

DRAWING NO: AUTO-3.5-08SN-AB-X

PRODUCT NO: AUTO-3.5-08SN-AB-X

REV	DESCRIPTION	DATE