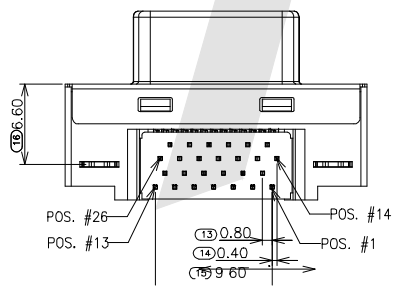
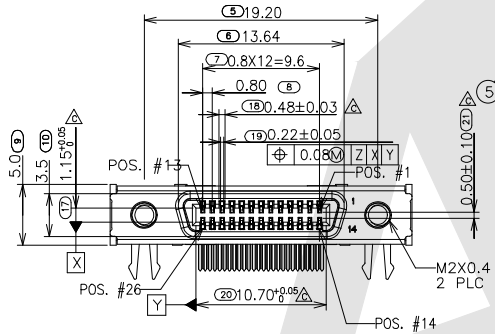
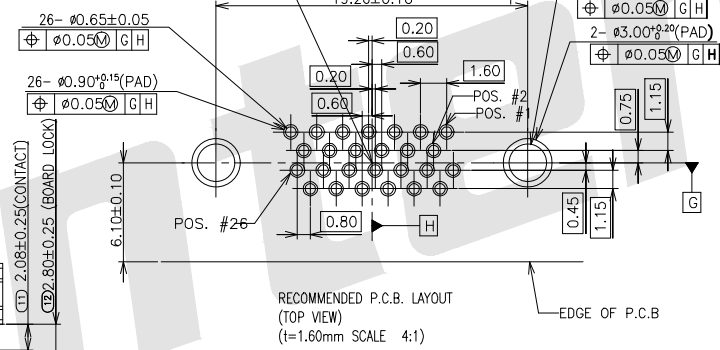
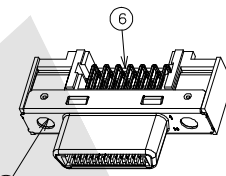
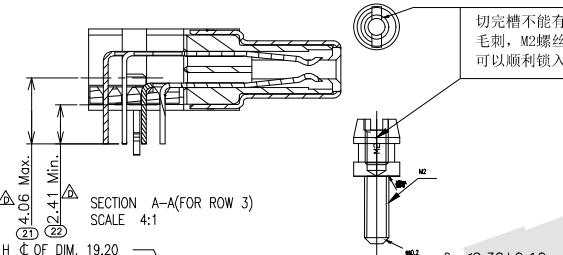
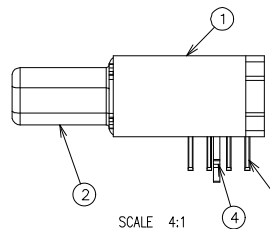
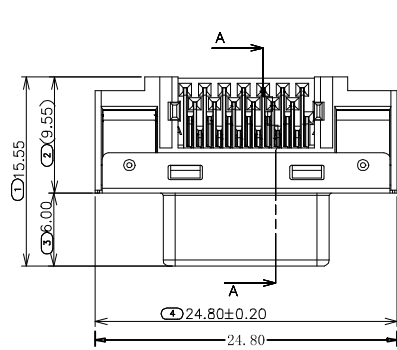


HSF



ROHS



6	TINE PLATE	1	PA9T GF33% BLACK
5	NUT	2	COPPER ALLOY
4	BOARD LOCK	2	PHOSPHOR BRONZE
3	CONTACT	26	PHOSPHOR BRONZE, Au
2	SHELL	1	SPCC NICKEL
1	HOUSING	1	PA9T GF33% BLACK
ITEM	NAME	Q'TY	MATERIAL/FINISH

NOTE:
 Rated voltage:30V AC (r.m.s.)
 Rated current:0.3 A
 Insulation resistance:Over 500 MΩ at 100V DC
 Dielectric withstanding voltage:250V AC (.m.s.)
 Contact resistance:100 MΩ or less

Ordering Code:

SDR - F - V26 - X
 ① ② ③ ④

- ① Series No:
SDR Connector
- ② Contact Type:
F:Female
- ③ Contact NO. :
V26=26P
- ④ Contact Plating:
 S0: Gold Flash Selective Plating
 S1: 3u" Gold Selective Plating
 S2: 5u" Gold Selective Plating
 S4: 15u" Gold Selective Plating
 S5: 30u" Gold Selective Plating

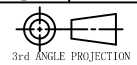
Unless Otherwise specified tolerance
 X. ±0.35 X.XX: ±0.20
 X.X: ±0.25 X.XXX: ±0.15

SCALE: As Shown UNIT: mm
 DRAW ZLA DATE 22/02/2022
 CHECK BobYang DATE 22/02/2022

Antenk ANTENK ELECTRONICS CO., LTD
 Http://www.antenk.com
 E-mail:sales@antenk.com

TITLE:
 0.8mm Pitch 26PIN Mini MDR Female Board Side
 DIP Type Connector

DRAWING NO: SDR-F-V26-X
 PRODUCT NO: SDR-F-V26-X



REV	DESCRIPTION			DATE
1	2	3	4	5