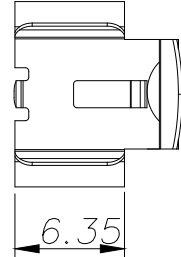
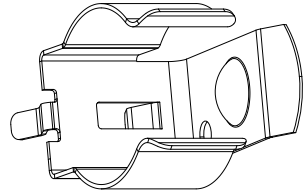
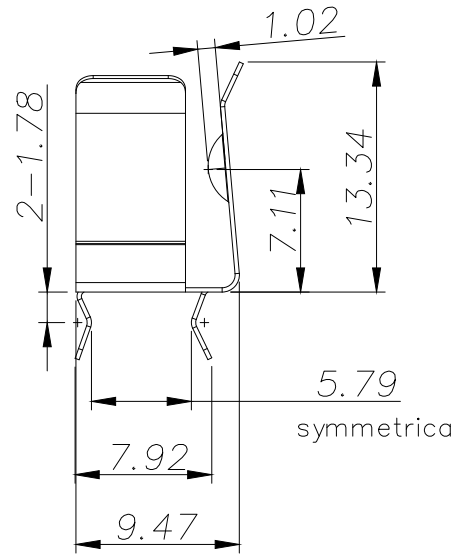
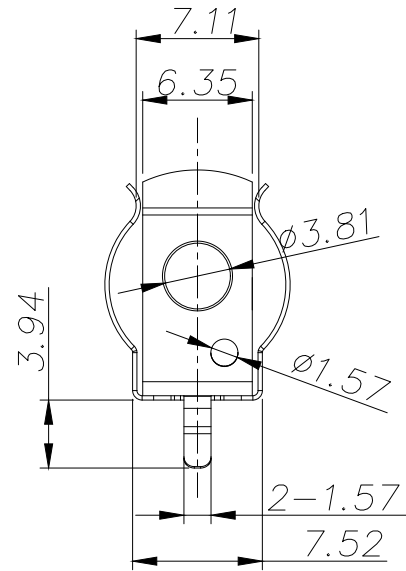


NOTES:  
 1.MATERIAL: ANNEALED SPRING STEEL,T=0.25mm.  
 2.PLATING:  
 80U" Min TIN PLATED OVERALL  
 50U" Min NICKEL PLATED UNDER OVERALL  
 3.THIS PRODUCT IS SUITABLE FOR AAA OR N BATTERY CLIP



$\frac{BS}{①} - \frac{R}{②} - \frac{XX}{③} - \frac{X}{④} - \frac{82}{⑤}$

- ① BS: Battery Contacts
- ② Apperance for the product  
R: 90 TYPE
- ③ Contact Plating  
SI: NICKEL PLATE  
SN: Tin
- ④ Packing method  
R: Tape & reel packing  
B: Bag packing
- ⑤ Product number  
82



Unless Otherwise specified tolerance  
 X.±0.30 X.XX: ±0.15  
 X.X: ±0.20 X.XXX: ±0.05

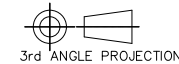
**Antenk**® ANTENK ELECTRONICS CO.,LTD  
 Http://www.antenk.com  
 E-mail:sales@antenk.com

SCALE: As Shown UNIT: mm  
 DRAW Jacky DATE 28/07/2020  
 CHECK BobYang DATE 28/07/2020

TITLE: AAA Battery Contacts 82

DRAWING NO: BS-R-XX-X-82

PRODUCT NO: BS-R-XX-X-82



REV	DESCRIPTION	DATE
1		
2		
3		
4		
5		