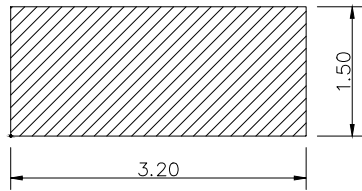
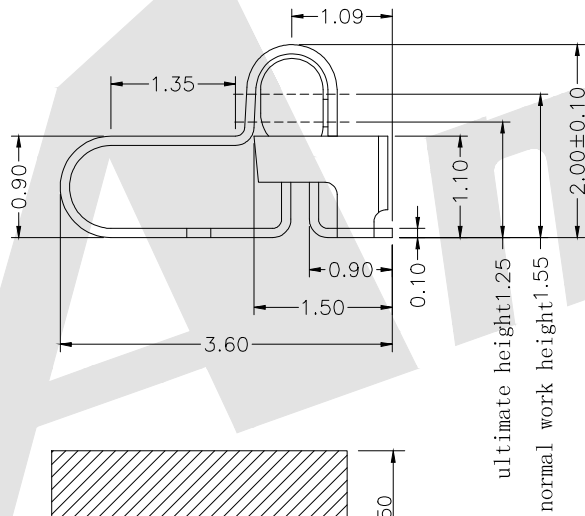
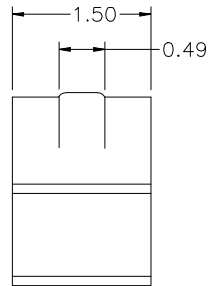
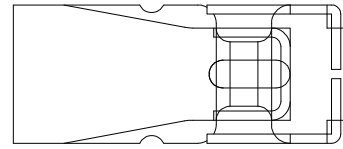


HSF



ROHS



RECOMMENDED PCB LAYOUT

Notes:

- 1: Material:
Spring: BeCu(C1720)
- 2: Plating:
Spring: 50~80u' Ni
Contact area: 1u' Au over 50~80u' Ni
- 3: Electrical:
Rated Current&Voltage: DC 1A, 12V
Contact Resistance: 50 mΩ Max. at working height.
- 4: Mechanical:
Force: 60~80g at working height.
Durability: 1000 cycles (min)
- 5: Work Temperature:
Withstanding Highest Temperature: 280°C
Operational Temperature: -20°C ~ + 70°C

$\frac{SF}{①} - \frac{036}{②} - \frac{X}{③} - \frac{X}{④} - \frac{19}{⑤}$

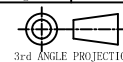
- ① Series No. :
SF: Spring Finger
- ② Length:
036: 3.6mm
- ③ Packing Method:
A: Tray R: Tape & Reel B: Bag
- ④ Plating
A: 1u" Au Plated over 50~80u Ni
B: 3u" Au Plated over 50~80u Ni
C: Sn Plated over Ni
- ⑤ Serial Number:
19

Unless Otherwise specified tolerance
X. ±0.35 X.XX: ±0.20
X.X: ±0.25 X.XXX: ±0.15

Antenk ANTENK ELECTRONICS CO., LTD
Http://www.antenk.com
E-mail: sales@antenk.com

SCALE: As Shown	UNIT: mm
DRAW ZLA	DATE 01/04/2022
CHECK BobYang	DATE 01/04/2022

TITLE:
Spring Finger L=3.6MM



DRAWING NO: SF-036-X-X-19
PRODUCT NO: SF-036-X-X-19

REV	DESCRIPTION	DATE
1		