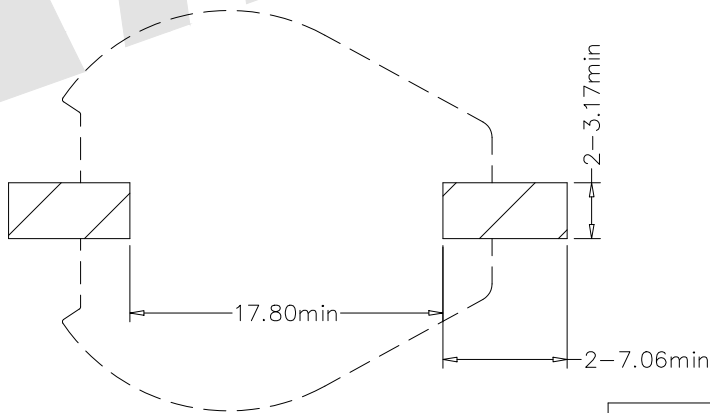
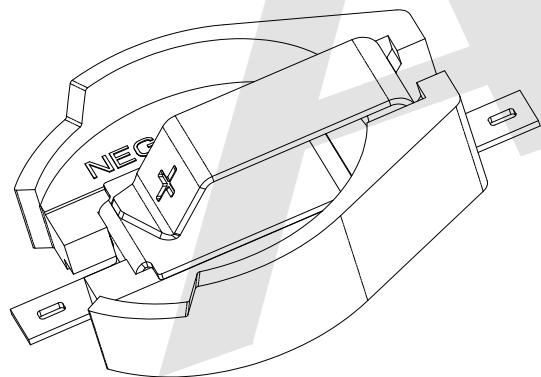
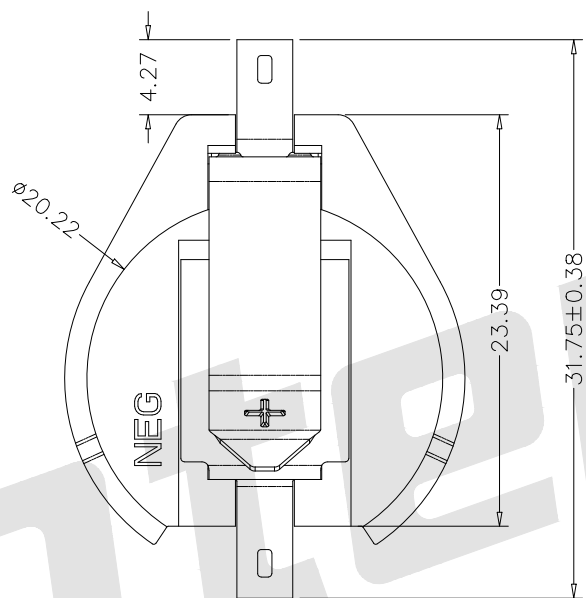
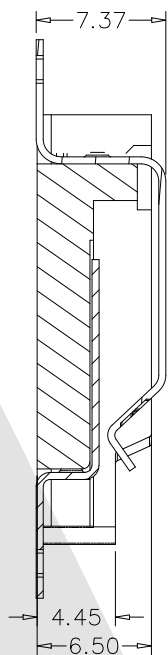
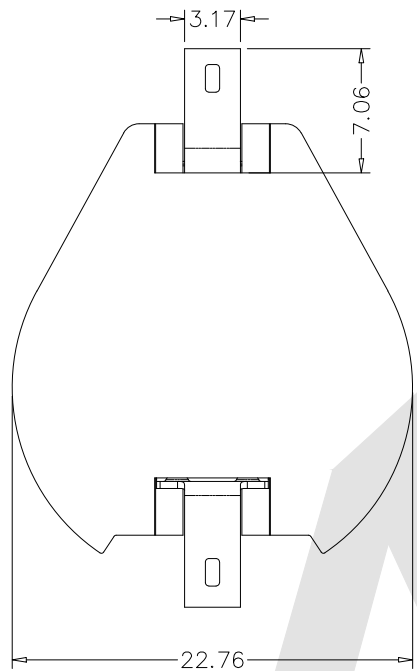


HSF



PCB LAYOUT

NOTES:

- 1. BASE:
MAT'L - HIGH TEMPERATURE NYLON (UL94V-0)
COLOR BLACK
- 2. CONTACTS (TOP AND BOTTOM):
MAT'L - 0.40 TH'K SPRING STEEL
FINISH: GOLD FLASH PLATE

Order code:

BT - M - G0 - R - 093
 ① ② ③ ④ ⑤

- ① BT: Coin Cell Holders
- ② Appearance for the product
M: SMT TYPE
- ③ Contact Plating
SN: Tin
G0: Gold flash
G1: 3U" Gold
G2: 5U" Gold
G3: 10U" Gold
G4: 15U" Gold
G5: 30U" Gold
- ④ Packing method
A: Tray B: Bag
R: Tape & reel
- ⑤ Product number
093

Unless Otherwise specified tolerance
 X.±0.35 X.XX:±0.20
 X.X:±0.25 X.XXX:±0.15

SCALE: As Shown UNIT: mm
 DRAW ZLA DATE 10/05/2023
 CHECK BobYang DATE 10/05/2023

VER./版本号 3rd ANGLE PROJECTION

Antenk ANTENK ELECTRONICS CO.,LTD
 Http://www.antenk.com
 E-mail:sales@antenk.com

TITLE: 20mm BATTERY HOLDER, SMT
 (2012,2016,2020,2025,2032)

DRAWING NO: BT-M-G0-R-093

PRODUCT NO: BT-M-G0-R-093

| | | |
|-------|------------------|----------------|
| MK/标记 | DESCRIPTION/修订内容 | DATE/日期(M/D/Y) |
|-------|------------------|----------------|