



Ordering Information:

AW2544R-xP - *

1 2

1.Part No:

2.Style:

(blank)-Type 1

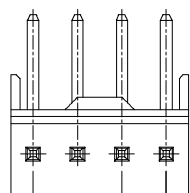
2-Type 2

SPECIFICATIONS

- Voltage rating: 250V AC,DC
- Current rating: 3A AC,DC
- Withstanding Voltage: 800V AC/minute
- Insulation resistance:500MΩ min
- Temperature range: -40℃+105℃

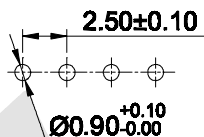
WAFER

- Part NO: AW2544R-xP
- Material: Pin: Brass/Tin over Nickel
Insulator: Nylon 66, UL94V-0
- Mates with: AH2544 series Housing
- Color: White

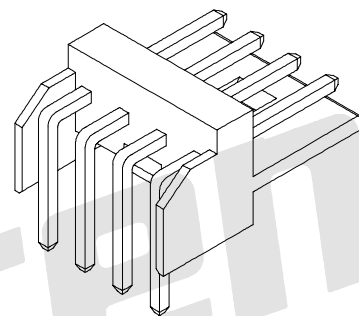


2.50±0.10

A±0.20



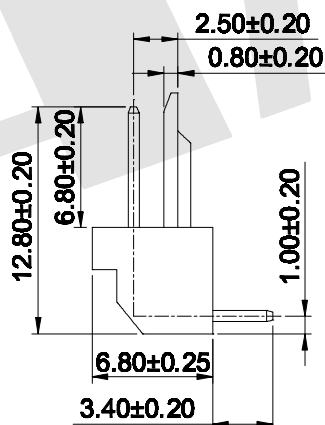
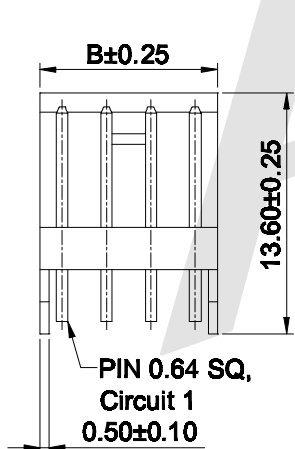
P.C.B LAYOUT



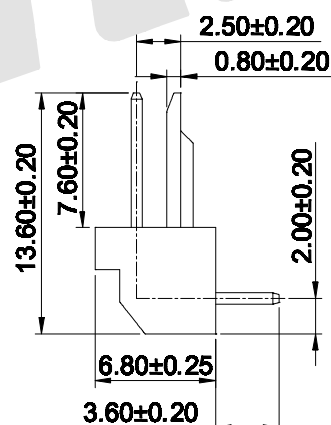
Ordering Information & Dimensions:

| Poles | Part No. | Dimensions (mm) | |
|-------|-------------|-----------------|-------|
| | | A | B |
| 02 | AW2544R-02P | 2.50 | 5.00 |
| 03 | AW2544R-03P | 5.00 | 7.50 |
| 04 | AW2544R-04P | 7.50 | 10.00 |
| 05 | AW2544R-05P | 10.00 | 12.50 |
| 06 | AW2544R-06P | 12.50 | 15.00 |
| 07 | AW2544R-07P | 15.00 | 17.50 |
| 08 | AW2544R-08P | 17.50 | 20.00 |
| 09 | AW2544R-09P | 20.00 | 22.50 |
| 10 | AW2544R-10P | 22.50 | 25.00 |
| 11 | AW2544R-11P | 25.00 | 27.50 |
| 12 | AW2544R-12P | 27.50 | 30.00 |

Unit:mm



TYPE 1



TYPE 2

Unless Otherwise specified tolerance
 I ±0.35 I, XX:±0.20
 I, X:±0.25 I, XXX:±0.15

SCALE: As Shown UNIT: mm
 DRAW Jack Bao DATE 06/20/2018
 CHECK Bob Yang DATE 06/20/2018



Antenk ANTENK ELECTRONICS CO.,LTD
 Http://www.antenk.com
 E-mail:sales@antenk.com

TITLE: 2.50mm pitch 90° Wafer Connector Series

DRAWING NO: AW2544R-xP

PRODUCT NO: AW2544R-xP

REV DESCRIPTION

DATE

1 2 3 4 5 6 7 8