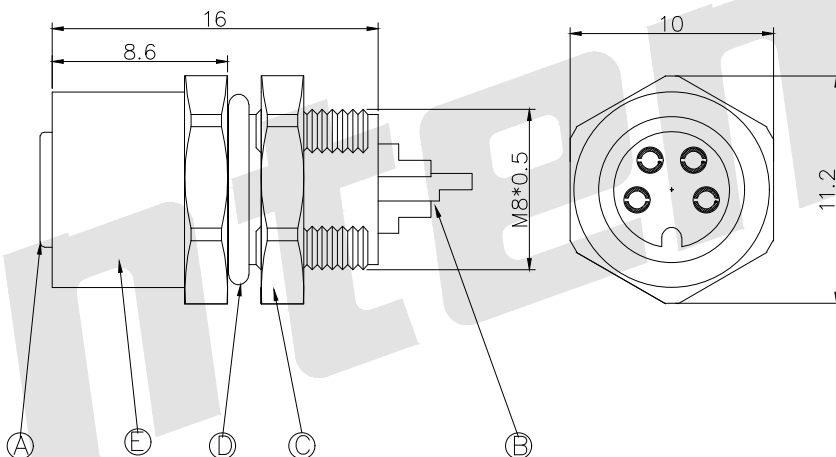
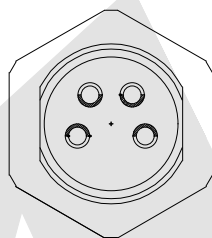


HSF

RoHS

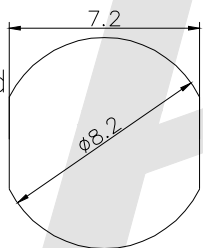
	2 Pin	3 Pin	4 Pin	5 Pin	6 Pin	8 Pin
Pin						
CODE	A-CODE	A-CODE	A-CODE	B-CODE	A-CODE	A-CODE



Order Code:

M802 - XP - F - 006  
 ① ② ③ ④

- ① Type of M series: M802
- ② No. of PINS: 02~08
- ③ Gender option: Female
- ④ Series number: 006



Recommended Panel Cut-out

Engagement force	≤30N	Rated volage	2-5pin: 60v DC 6-8pin: 30V DC
Isengagement force	≥5N	Rated current	2-5pin: 4A 6-8pin: 2A
echanical lifespan	≥500	Insulation resistance	≥1000 MΩ
IP rating	IP67/IP68	Contact resistance	≤10mΩ
Flammability	UL94 v-0	Operation Temperature	-40 T0+105℃

E	Over Mold	1	NICKL PLATED BRASS
D	O RING	1	SILIGONE RED
C	NUT	1	NICKL PLATED BRASS
B	Female PIN	/	PHOSPHOR BRONZE GOLD PLATING OVER NICKEL PLATING
A	BODY	1	PA66+GF BLACK
Item	PART NAME	QTY	MATERIAL /FINISH

Unless Otherwise specified tolerance  
 X.±0.35 X.XX:±0.20  
 X.X:±0.25 X.XXX:±0.15

SCALE: As Shown UNIT: mm  
 DRAW ZLA DATE 24/05/2022  
 CHECK BobYang DATE 24/05/2022



**Antenk**® ANTENK ELECTRONICS CO.,LTD  
 Http://www.antenk.com  
 E-mail:sales@antenk.com

TITLE: M8 2~8P Female Waterproof Wire Side Lock Front Panel DIP 180° SW10T

DRAWING NO: M802-XP-F-006

PRODUCT NO: M802-XP-F-006

REV	DESCRIPTION	DATE