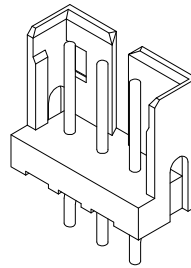


HSF



SPECIFICATIONS

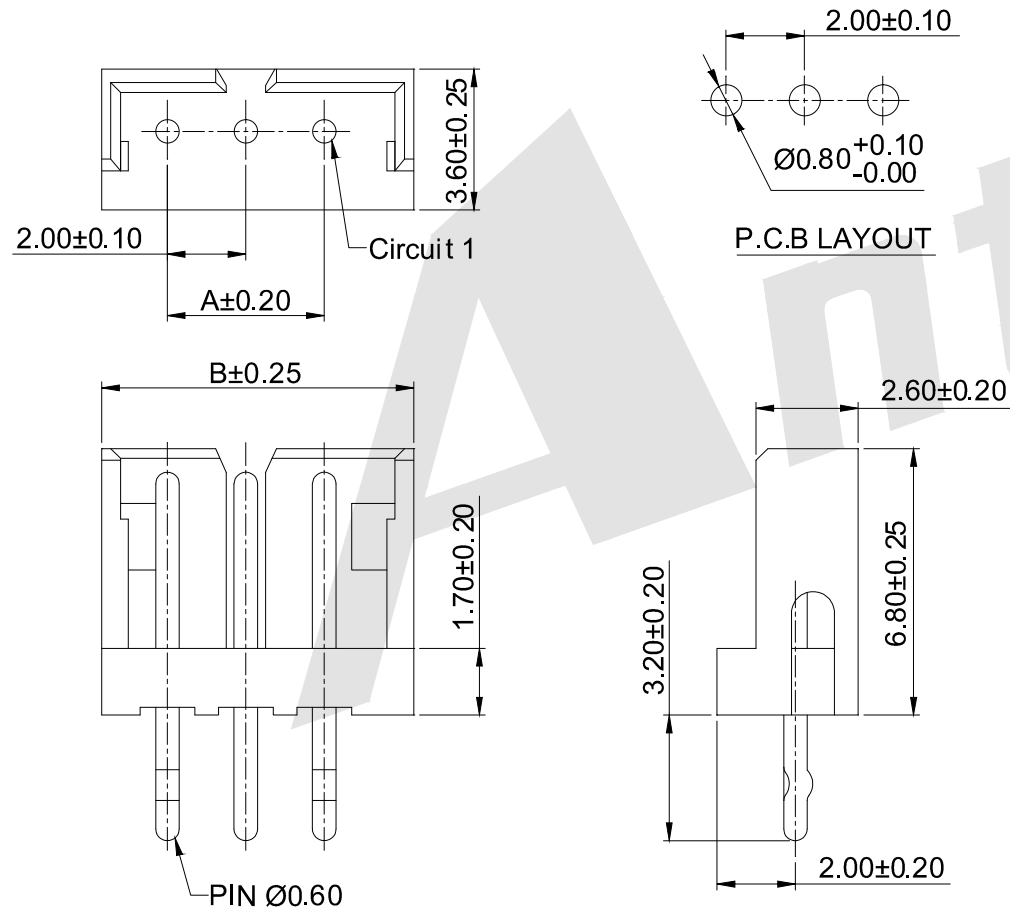
- Voltage rating: 125V AC, DC
- Current rating: 4A, AC, DC
- Withstanding Voltage: 1000V AC/minute
- Insulation resistance: 1000MΩ min
- Temperature range: -40°C~+105°C

WAFER

- Part NO: AW2007V-NP
- Material: Pin: Brass/Tin over Nickel
Insulator: Nylon 66, UL94V-0
- Mates with: AH2007 series Housing
- Color: White

Ordering Information & Dimensions:

Poles	Part No.	Dimensions (mm)	
		A	B
2	AW2007V-02P	2.00	5.96
3	AW2007V-03P	4.00	7.96
4	AW2007V-04P	6.00	9.96
5	AW2007V-05P	8.00	11.96
6	AW2007V-06P	10.00	13.96
7	AW2007V-07P	12.00	15.96
8	AW2007V-08P	14.00	17.96
9	AW2007V-09P	16.00	19.96
10	AW2007V-10P	18.00	21.96
11	AW2007V-11P	20.00	23.96
12	AW2007V-12P	22.00	25.96
13	AW2007V-13P	24.00	27.96
14	AW2007V-14P	26.00	29.96
15	AW2007V-15P	28.00	31.96



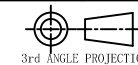
Unless Otherwise specified tolerance
 X. ±0.35 X.XX: ±0.20
 X.X: ±0.25 X.XXX: ±0.15



ANTENK ELECTRONICS CO., LTD
[Http://www.antenk.com](http://www.antenk.com)
 E-mail:sales@antenk.com

SCALE: As Shown	UNIT: mm
DRAW Jack Bao	DATE 10/19/2017
CHECK Bob Yang	DATE 10/19/2017

TITLE: 2.00mm pitch 180 Wafer
Connector Series



DRAWING NO: AW2007V-NP
 PRODUCT NO: AW2007V-NP

REV	DESCRIPTION	DATE