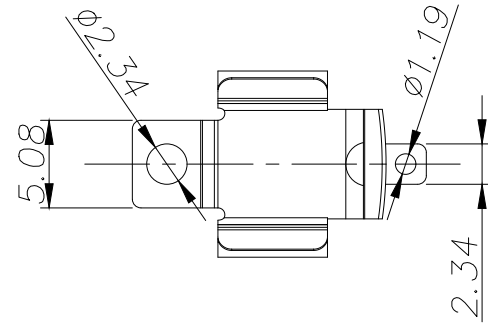
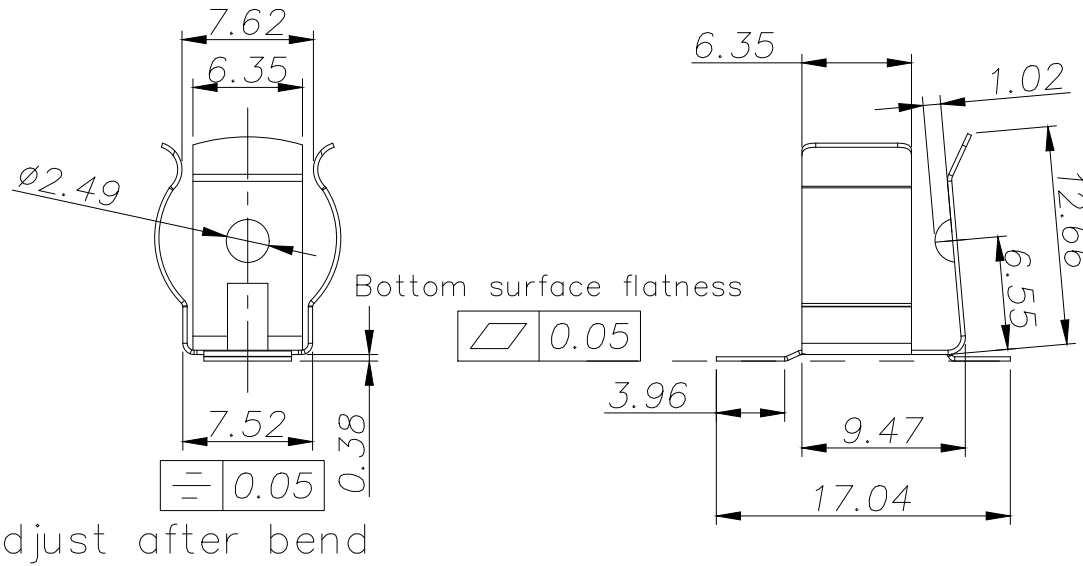


NOTES:
 1.MATERIAL: ANNEALED SPRING STEEL,T=0.25mm.
 2.PLATING:
 80U" Min TIN PLATED OVERALL
 50U" Min NICKEL PLATED UNDER OVERALL
 3.THIS PRODUCT IS SUITABLE FOR AAA OR N BATTERY CLIP



BS - M - XX - X - 55
 ① ② ③ ④ ⑤

- ① BS: Battery Contacts
- ② Apperance for the product
M: SMT TYPE
- ③ Contact Plating
SI: NICKEL PLATE
SN: Tin
- ④ Packing method
R: Tape & reel packing
B: Bag packing
- ⑤ Product number
55



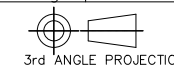
Unless Otherwise specified tolerance
 X.±0.30 X.XX: ±0.15
 X.X: ±0.20 X.XXX: ±0.05

Antenk® ANTENK ELECTRONICS CO.,LTD
 Http://www.antenk.com
 E-mail: sales@antenk.com

SCALE: As Shown UNIT: mm
 DRAW Jacky DATE 28/07/2020
 CHECK BobYang DATE 28/07/2020

TITLE: AAA/N Battery Contacts 55

DRAWING NO: BS-M-XX-X-55
 PRODUCT NO: BS-M-XX-X-55



REV	DESCRIPTION	DATE
1		
2		
3		
4		
5		