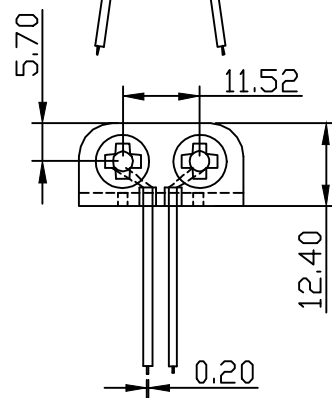
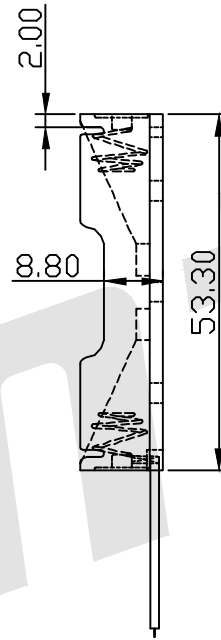
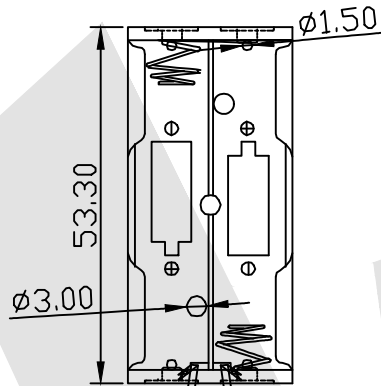
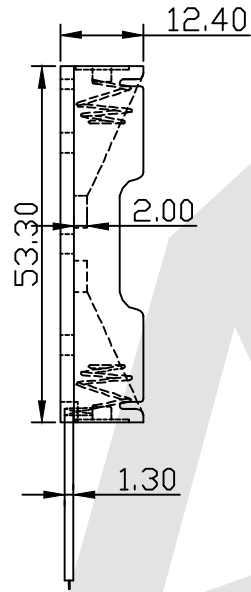
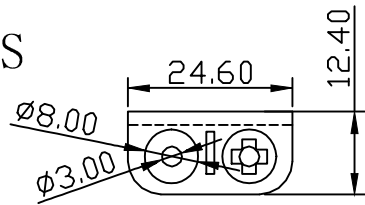


HSF

RoHS



1. HOLDER MAT'L: POLYPROPYLENE
 SPRING MAT'L: MUSIC WIRE, (0.60) DIA.
 FINISH: NICKEL PLATE

Ordering Code:

BBA - 7 - 2 - 150 - A - 2
 ① ② ③ ④ ⑤ ⑥

- ① BB: Battery Holders
- ② BATTERY TYPE
 5: AA SIZE
 7: AAA SIZE
- ③ BATTERY NUMBERS
 1: 1 piece
 2: 2 Pieces
 3: 3 pieces
 4: 4 pieces
- ④ Wire Length
 For example:
 150=150mm
- ⑤ Packing
 A: TRAY
- ⑥ 2 : Series Number

Unless Otherwise specified tolerance
 X. ±0.35 X.XX: ±0.20
 X.X: ±0.25 X.XXX: ±0.15

Antenk® ANTENK ELECTRONICS CO., LTD
 Http://www.antenk.com
 E-mail:sales@antenk.com

SCALE: As Shown	UNIT: mm
DRAW Mo Guo Xuan	DATE 03/14/2019
CHECK BobYang	DATE 03/14/2019

TITLE: 2 PIECES AAA Battery Holders

DRAWING NO: BBA-7-2-150-A-2

PRODUCT NO: BBA-7-2-150-A-2



3rd ANGLE PROJECTION

REV	DESCRIPTION	DATE