

TF CARD Pin DESIGN			
Pin No.	Pin NAME	Type	Description
P①	DAT2	I/O/PP	Date Line[Bit 2]
P②	CD/DAT3	I/O/PP	Card Detect Date Lin(Bit3)
P③	CMD	PP	Command Response
P④	VDD	S	Supply voltage
P⑤	CLX	I	Clock
P⑥	Vss	S	Supply voltage ground
P⑦	DAT 0	I/O/PP	Date Line [Bit 0]
P⑧	DAT 1	I/O/PP	Date Line [Bit 1]

PCB LAYOUT

Ordering Code:

ATK - TSIM - X - A - 007
 ① ② ③ ④

① Company Name:
ATK

② Height:
See The Table

③ Packing
A:Tray
T:Tube
R:Tape&Reel

④ Series Number:
007

PROJECT\ LEVEL		A[better product]	B[average product]	C[low product]
Electrical Properties	Initial Contact	30mΩ max.	30mΩ max.	no data!
	Contact Resistance	100mΩ min.100V DC Skey/PD: 50mΩ min.100V DC		
	Withstand Voltage	300V AC for 1min	250 V AC for 1min	
Durable Performance	There No Load	8,000 Cycles	7,000 Cycles	no data!
	Rated Load	6,500 Cycles 50mΩ max.	5,000 Cycles 30mΩ max.	no data!
Insertion Force		4.0Kgf MAX (Springback:)		

01	2.55	3.75
02	2.15	3.35
03	1.90	3.00
04	1.65	2.85
05	1.45	2.65
NO	DIM A	DIM H

Unless Otherwise specified tolerance
 X. ±0.35 X.XX: ±0.20
 X.X: ±0.25 X.XXX: ±0.15

SCALE: As Shown	UNIT: mm
DRAW ZLA	DATE 02/03/2022
CHECK BobYang	DATE 02/03/2022

Antenk ANTENK ELECTRONICS CO., LTD
<http://www.antenk.com>
 E-mail:sales@antenk.com

TITLE:
Micro SD Card Header with Detect Pin, 8P , with
Difference Height

DRAWING NO: ATK-TSIM-X-A-007

PRODUCT NO: ATK-TSIM-X-A-007



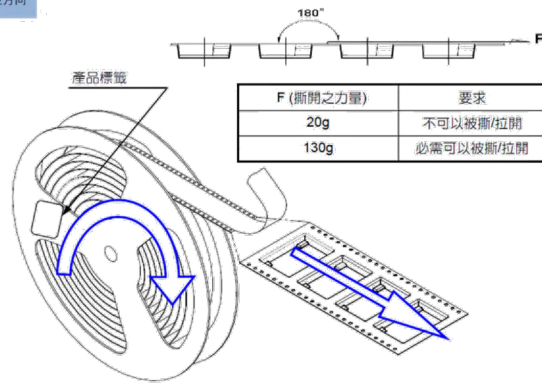
3rd ANGLE PROJECTION

REV	DESCRIPTION	DATE



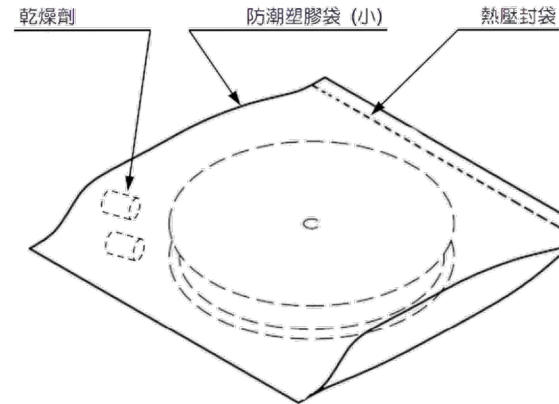
包裝示例圖 1

1. 載帶繞繞方向



依上述之各項，將產品包入承載料帶內，並封上熱封膠帶，貼上產品標籤。

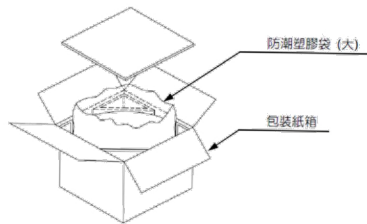
將完成之料盤放入防潮塑膠袋內，置入兩包乾燥劑，確認無虞後，將塑膠袋口整理平順後，使用熱壓封口機將塑膠袋封口，如下圖所示。



2. 單品包裝示意圖

3. 內容及填充示意圖

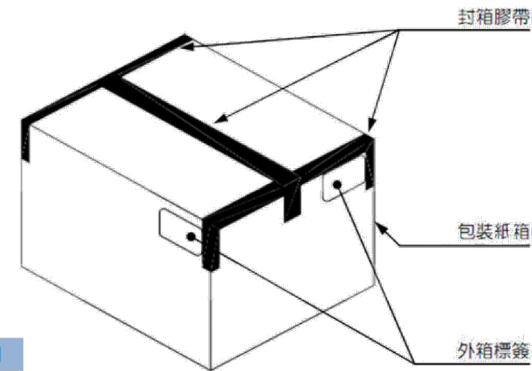
包裝示例圖 2



確認置入之種料盤數量無誤後，將塑膠袋整理平順，加以折疊並塞入紙箱之中，最後再將紙箱封好，如上圖所示。

以封箱膠帶依下圖之位置封好。

貼上出貨標籤，完成之出貨包裝如下圖。



4. 外封箱示意圖

Unless Otherwise specified tolerance

X. ±0.35	X. XX: ±0.20
X. X: ±0.25	X. XXX: ±0.15

SCALE:	UNIT:
As Shown	mm

DRAW	DATE
ZLA	02/03/2022

CHECK	DATE
BobYang	02/03/2022



ANTENK ELECTRONICS CO., LTD
<http://www.antenk.com>
 E-mail: sales@antenk.com

TITLE: Micro SD Card Header with Detect Pin, 8P Packing

DRAWING NO: ATK-TSIM-X-A-007

PRODUCT NO: ATK-TSIM-X-A-007



REV

DESCRIPTION

DATE