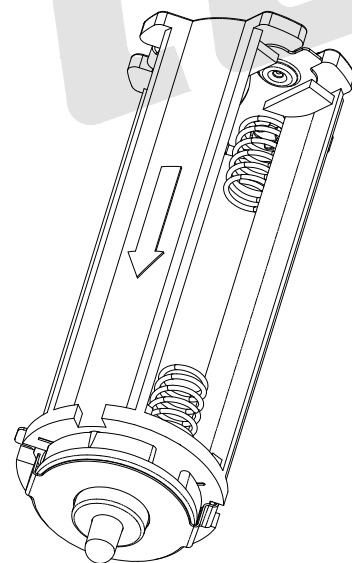
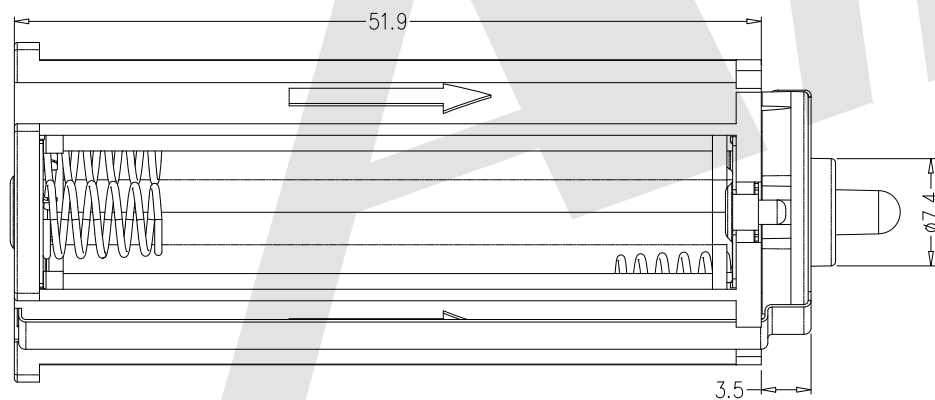
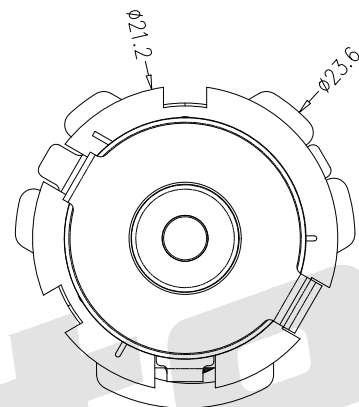
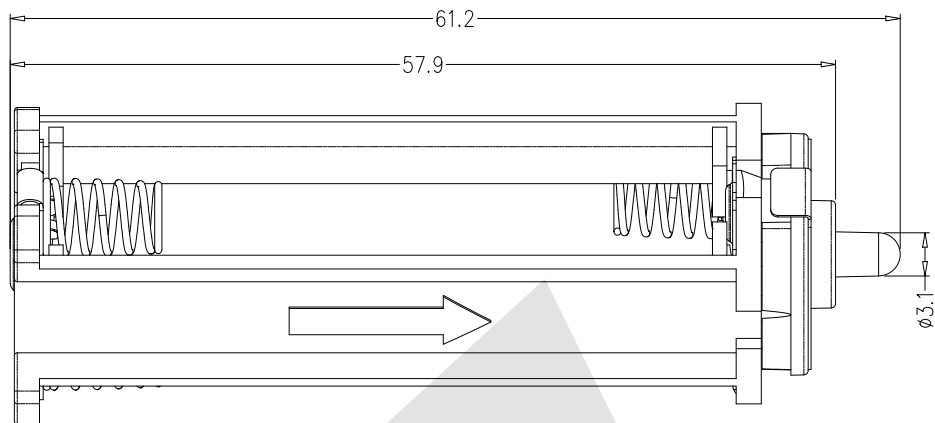


HSF



ROHS



Ordering Code/订单号:

BBA - 7 - 3 - 3 - 02
 ① ② ③ ④ ⑤

① BBA: Battery Holders/系列号

② BATTERY TYPE/电池类型

7: AAA Battery

③ BATTERY NUMBERS/电池数量

3: Treble/3节

④ Packing/包装方式

1: TRAY/吸塑盒装 2: BAG/袋装 3: Carton/箱装

⑤ Serial No.

02

Unless Otherwise specified tolerance
 X.±0.35 X.XX:±0.20
 X.X:±0.25 X.XXX:±0.15

SCALE: As Shown	UNIT: mm
DRAW ZLA	DATE 08/23/2022
CHECK BobYang	DATE 08/23/2022



Antenk® ANTENK ELECTRONICS CO.,LTD
 Http://www.antenk.com
 E-mail:sales@antenk.com

TITLE: Treble Circular AAA Battery Holder

DRAWING NO: BBA-7-3-3-02

PRODUCT NO: BBA-7-3-3-02

REV	DESCRIPTION	DATE
1		
2		
3		
4		
5		