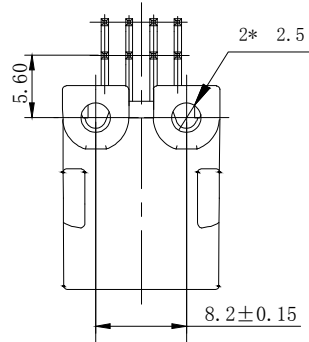
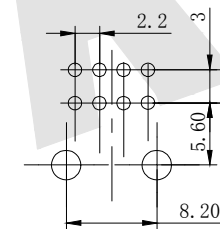
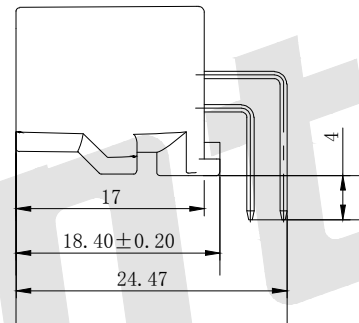
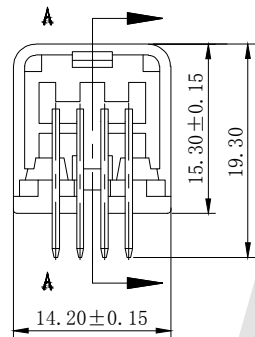
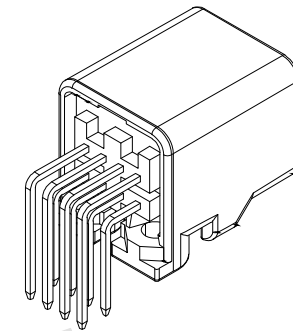
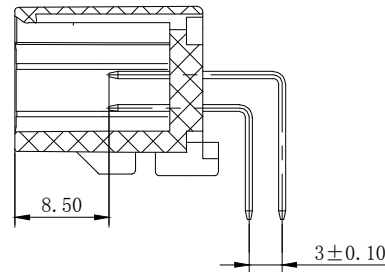


HSF



Section A-A



PCB LAYOUT

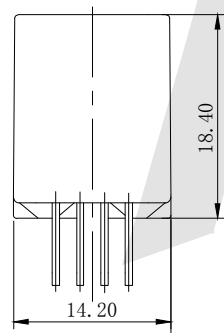
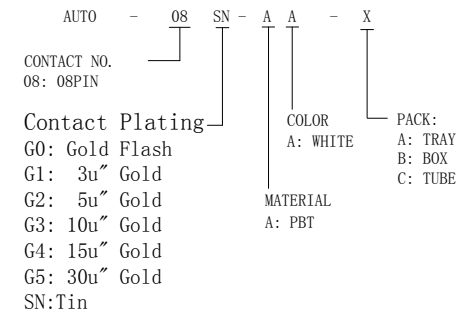
NOTE:

- 1. MATERIAL :
  - 1.1 HOUSING: PBT+GF15 (WHITE)
  - 1.2 CONTACT: COPER TIN PLATED

The unmarked tolerance shall be in accordance with GB / T 1804-92 grade M

Size Range	0-5	5-20	20-45	45-70	70-100	100-250	≥250	Angle
Undeclared Tolerance	±0.15	±0.2	±0.3	±0.4	±0.5	±0.7	±0.15	±2°

Ordering Code:



Unless Otherwise specified tolerance  
 X. ±0.35 X.XX: ±0.20  
 X.X: ±0.25 X.XXX: ±0.15

SCALE: As Shown UNIT: mm  
 DRAW Wu Feng Rong DATE 07/13/2021  
 CHECK BobYang DATE 07/13/2021



**Antenk**® ANTENK ELECTRONICS CO., LTD  
 Http://www.antenk.com  
 E-mail:sales@antenk.com

TITLE:  
 P2.2\*3 08P Automotive Right Angle Male Connector

DRAWING NO: AUTO-08SN-AA-X

PRODUCT NO: AUTO-08SN-AA-X

REV	DESCRIPTION	DATE