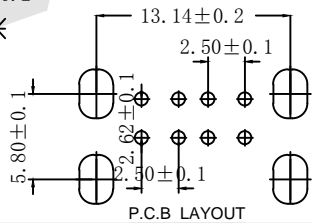
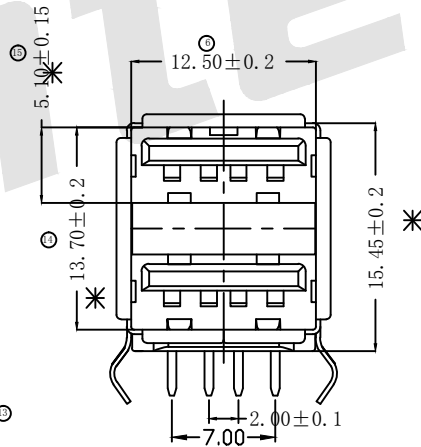
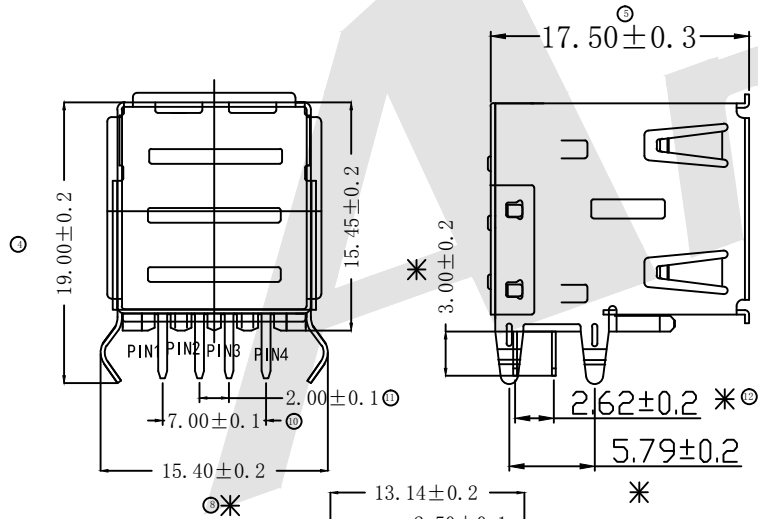
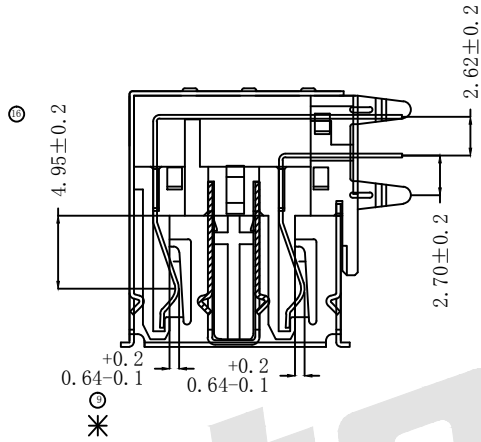
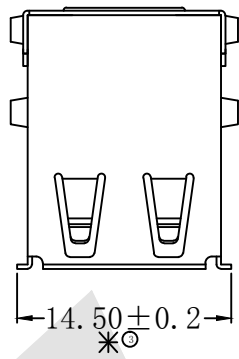
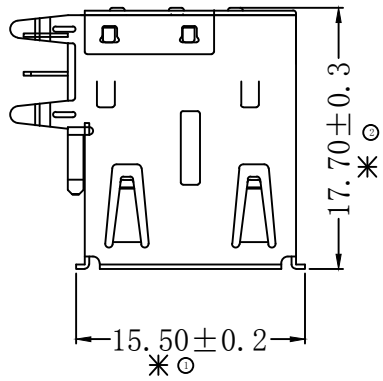


HSF



Specifications:
 Current Rating: 1.5A Max
 Contact Resistance: 30 milliohms MAX
 Dielectric Withstanding Voltage: 500V AC AT Sea Level
 Insulation Resistance: 1000 Megohms MIN
 Housing: Temperature Thermoplastics, LCP UL 94V-0
 Contact: Copper Alloy T=0.25mm Plated Gold in Mating Area; Tin On Solder Talls
 Shell: Iron T=0.30mm Nickel/Plating
 Ordering Code:

UAFR05 - X - X - X - X - X - X - X
 ① ② ③ ④ ⑤ ⑥ ⑦ ⑧

- ① Series No:
- ② Shell Material:
B:Brass I:Iron S:stainless steel
- ③ Insulator Material:
P:PBT+30%GF L:LCP
- ④ Contact Material:
B:Brass P:phosphor copper
- ⑤ Contact Plating
G0: Gold flash
G1: 3u" Gold
G2: 5u" Gold
G3: 10u" Gold
G4: 15u" Gold
G5: 30u" Gold
- ⑥ Color Insulator
A:White B:Black
- ⑦ Packing
A:Tray B:Bag C:Tube D:Tape & Reel
- ⑧ Option
A:Type1 B:Type2 C:Type3

Unless Otherwise specified tolerance
 X. ±0.35 X.XX: ±0.20
 X.X: ±0.25 X.XXX: ±0.15

Antenk ANTEK ELECTRONICS CO., LTD
[Http://www.antenk.com](http://www.antenk.com)
 E-mail:sales@antenk.com

SCALE: As Shown UNIT: mm
 DRAW: TMX DATE: 12/23/2021
 CHECK: BobYang DATE: 12/23/2021

TITLE: USB A Type Receptacle Double Stack Angle
 DIP13.14mm

DRAWING NO: UAFR05-XXXXXX
 PRODUCT NO: UAFR05-XXXXXX



REV	Replace all USB drawings	12/23/2021
	DESCRIPTION	DATE