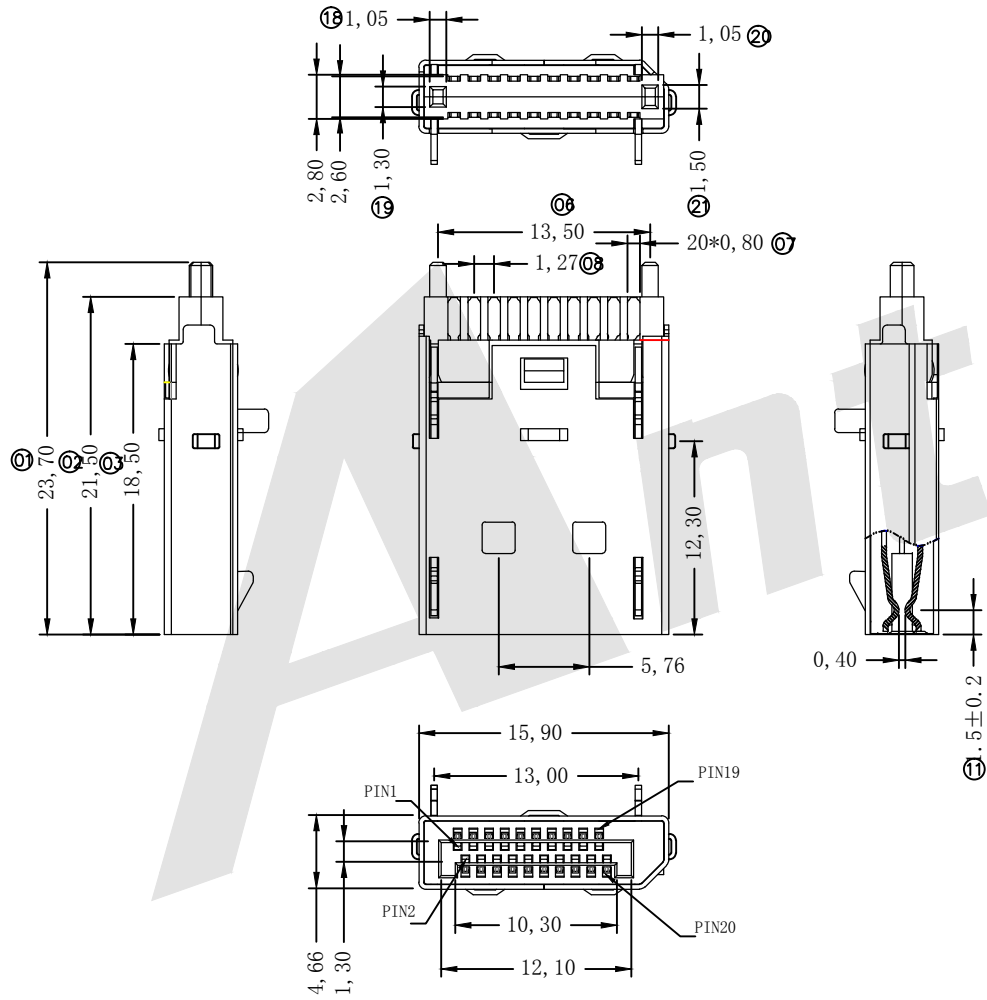


HSF



ROHS



REMARKS (备注):

1. CONTACT INSERTION AND WITHDRAW FORCE (插拔力):
  - 1.1. Insertion force (插入力): 44.1N max.
  - 1.2. Withdrawal force (拔出力): 9.8N min/39.2N max.
2. ELECTRIC PROPERTY (电气性能):
  - 2.1. Contact current rating (额定电流): 0.5A min.
  - 2.2. Voltage rating (额定电压): 40V AC (RMS).
  - 2.3. Withstanding voltage (阻抗电压): 500V AC for 1 minute.
  - 2.4. Insulation resistance (绝缘阻抗): 100 megaohms (兆欧) max.
  - 2.5. Contact resistance (接触阻抗): 60 milliohms (毫欧) max.
3. AMBIENT TEMPERATURE (温度环境):
  - 3.1. Operating temperature (制造温度): -25° C to +85° C.

Ordering Code:

DP - M - X - X - 03  
 ① ② ③ ④ ⑤

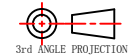
- ① Series No:
- ② Male / female:  
M: Male
- ③ Contact Plating:  
1: Selective 1u"  
2: Selective 3u"  
3: Selective 5u"  
4: Selective 15u"  
5: Selective 30u"  
6: All Gold
- ④ Shell Plating:  
1: NICKEL PLATK  
2: TIN-LKAD PLATED  
3: GOLD PLATKD
- ⑤ series number:  
03

Unless Otherwise specified tolerance  
 X. ±0.35 X.XX: ±0.20  
 X.X: ±0.25 X.XXX: ±0.15

**Antenk** ANTENK ELECTRONICS CO., LTD  
 Http://www.antenk.com  
 E-mail:sales@antenk.com

SCALE: As Shown UNIT: mm  
 DRAW Mo Guo Xuan DATE 29/10/2018  
 CHECK BobYang DATE 29/10/2018

TITLE: DISPLAY Male  
 soldering type (3suits)



DRAWING NO: DP-MXX03  
 PRODUCT NO: DP-MXX03

REV	DESCRIPTION	DATE
1		